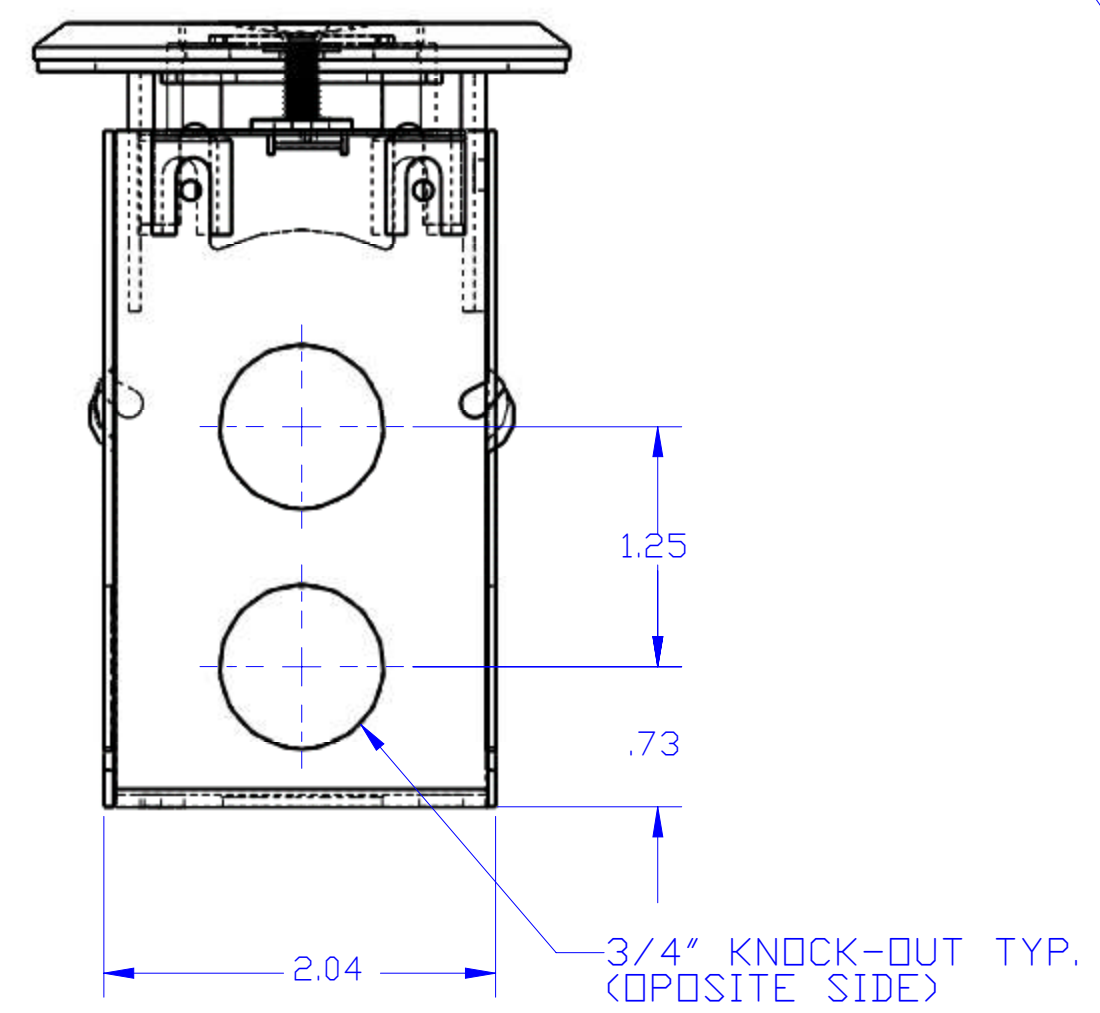
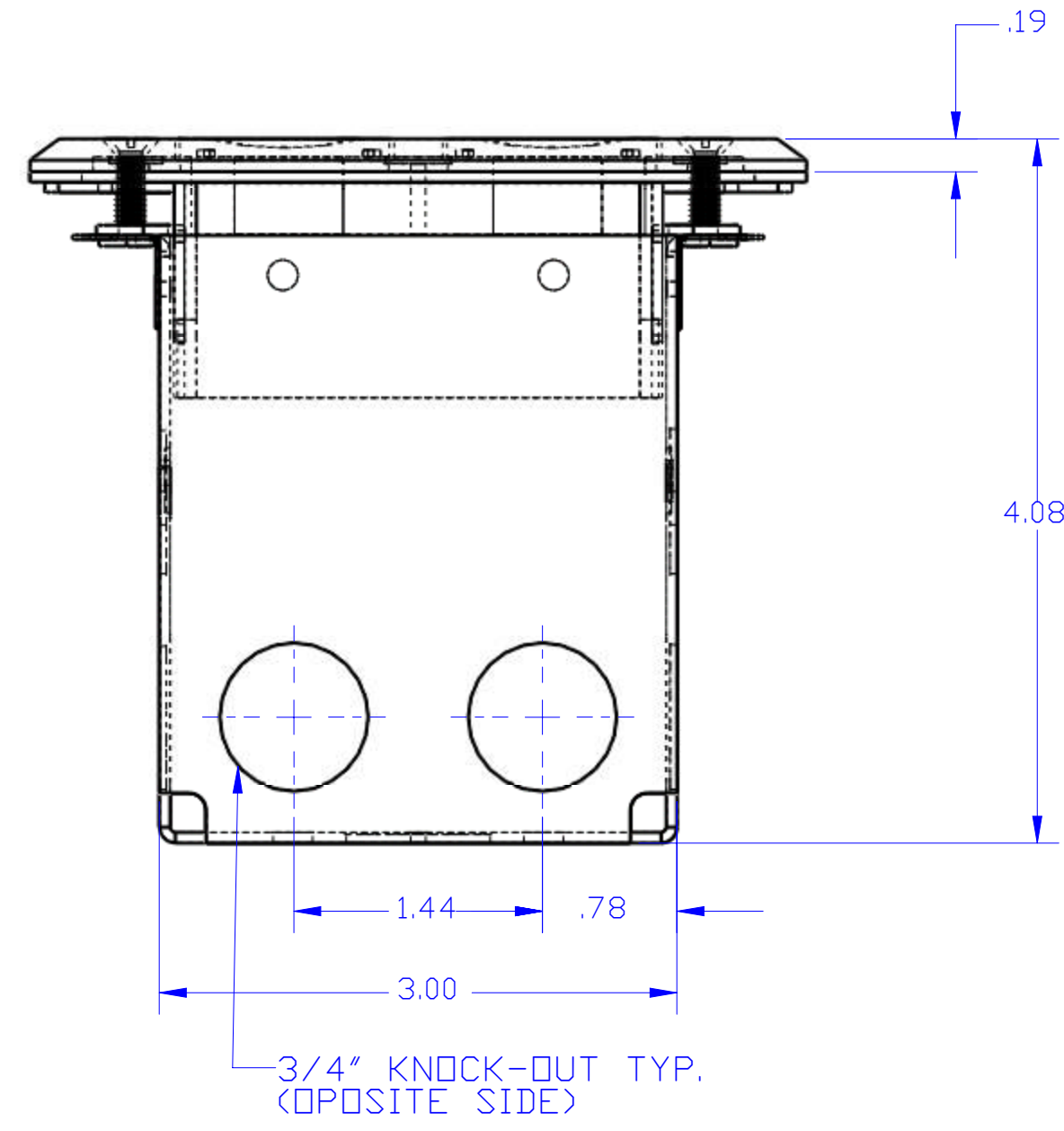
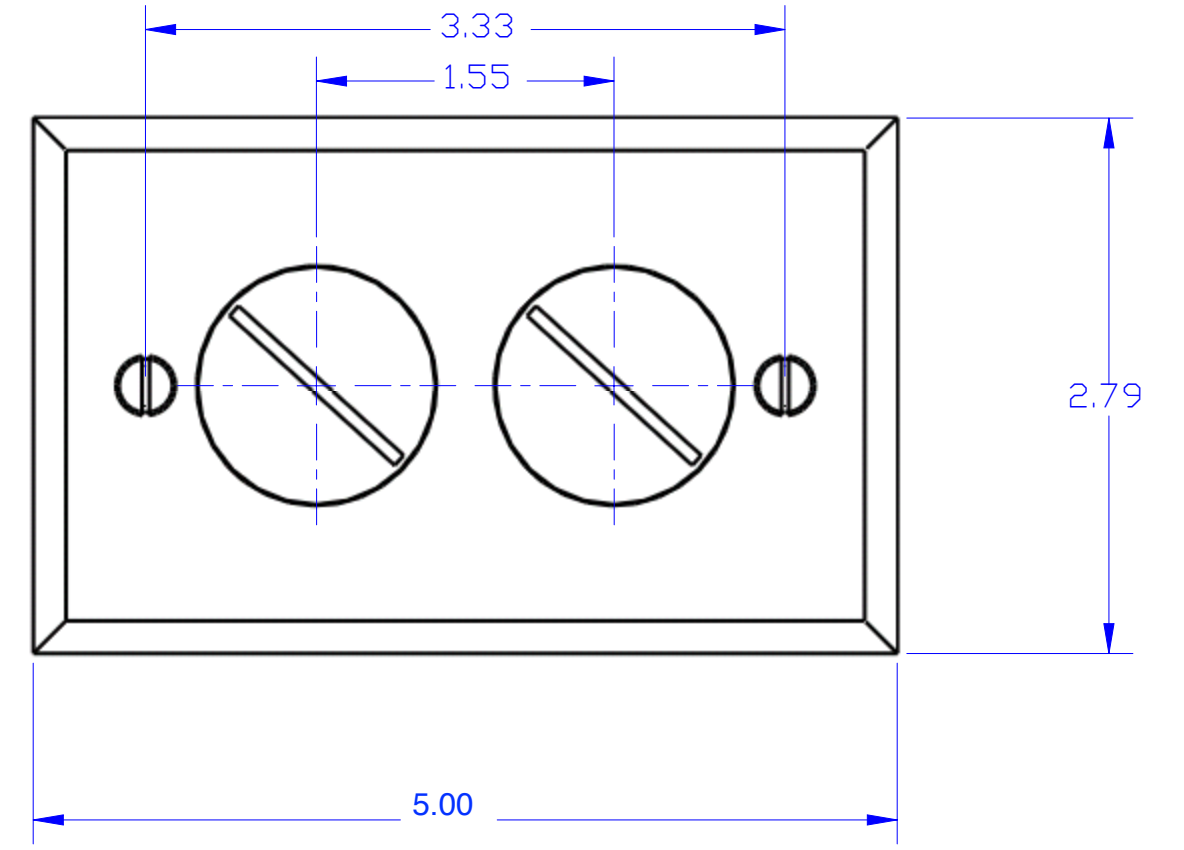


DESCRIPTION:
ALUMINUM, RECESSED FLOOR PLATE ASSEMBLY
(COMM./DATA WITH BOX); RRP-2-PQ INCLUDED



STAINLESS, [2] 6-32 X .75 FLAT
HEAD SCREW [1.25 ALSO
PROVIDED]

6212-A PLUG

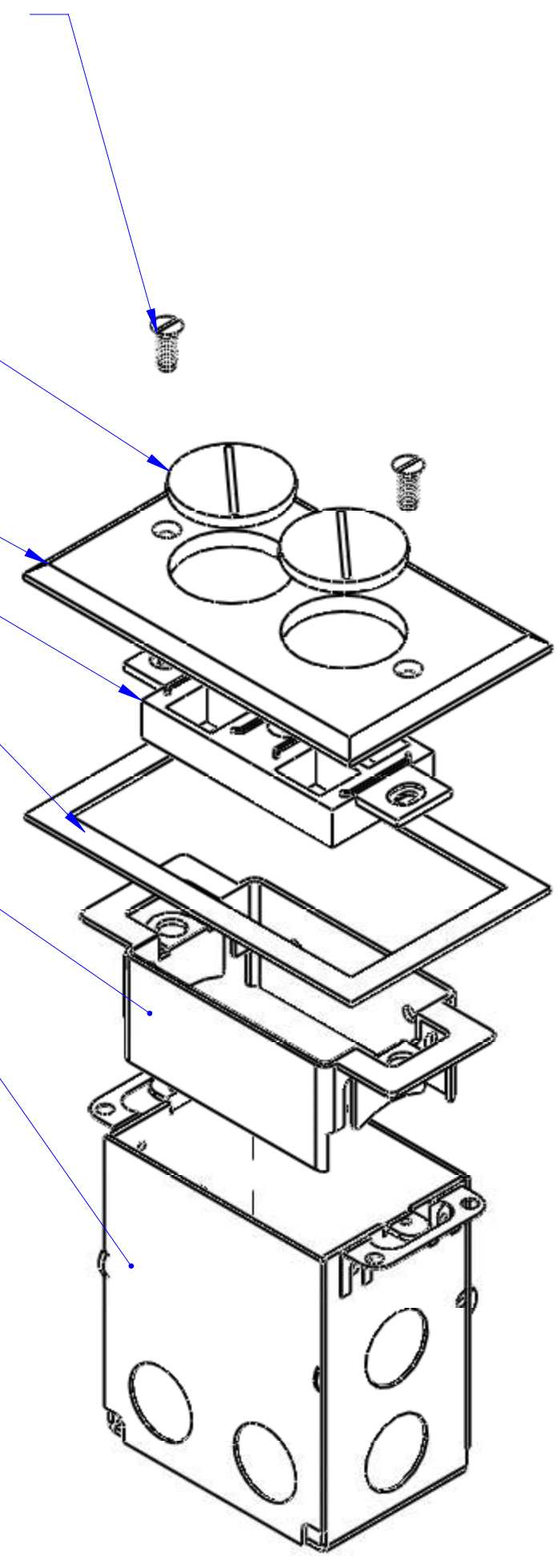
RRP-2-AR

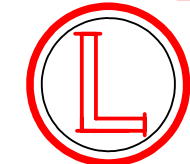
RRP-2-PQ

NEOPRENE GASKET

RRP-2-R

STAMPED STEEL BOX





**LEW ELECTRIC
FITTINGS COMPANY**
SERVING THE ELECTRICAL INDUSTRY SINCE 1901
371 Randy Rd, Carol Stream IL 60188
PHONE: 630-665-2075

UNLESS OTHERWISE SPECIFIED: DIMENSIONS ARE IN INCHES TOLERANCES: FRACTIONAL ± ANGULAR: MACH ± BEND ± TWO PLACE DECIMAL ± THREE PLACE DECIMAL ± INTERPRET GEOMETRIC TOLERANCING PER: MATERIAL FINISH DO NOT SCALE DRAWING	NAME DRAWN P.J.G.	DATE 12/1/2007	TITLE: SWB-2-A-T
	COMMENTS:		SIZE DWG. NO. REV C A
			WEIGHT: SHEET 7 OF 12