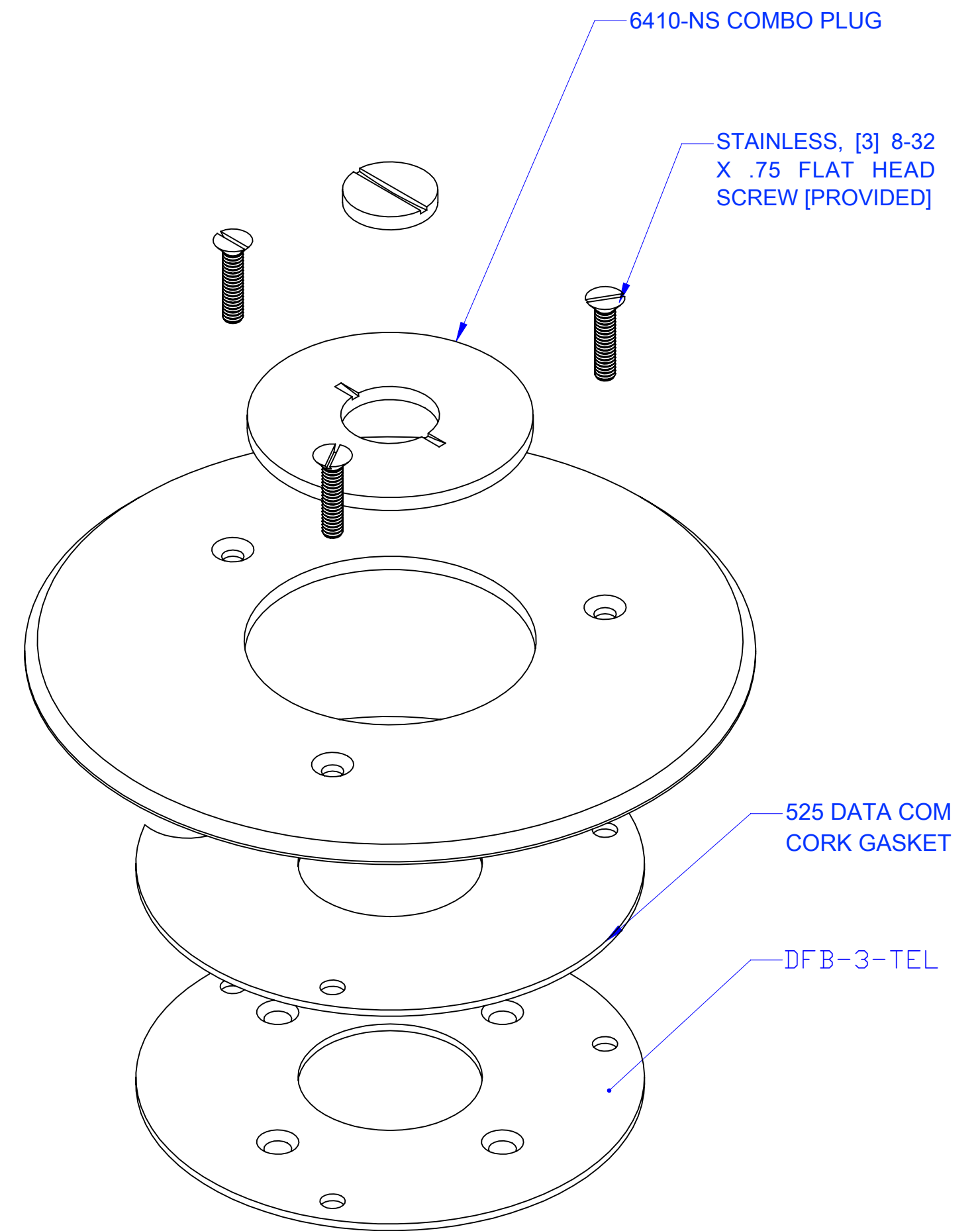
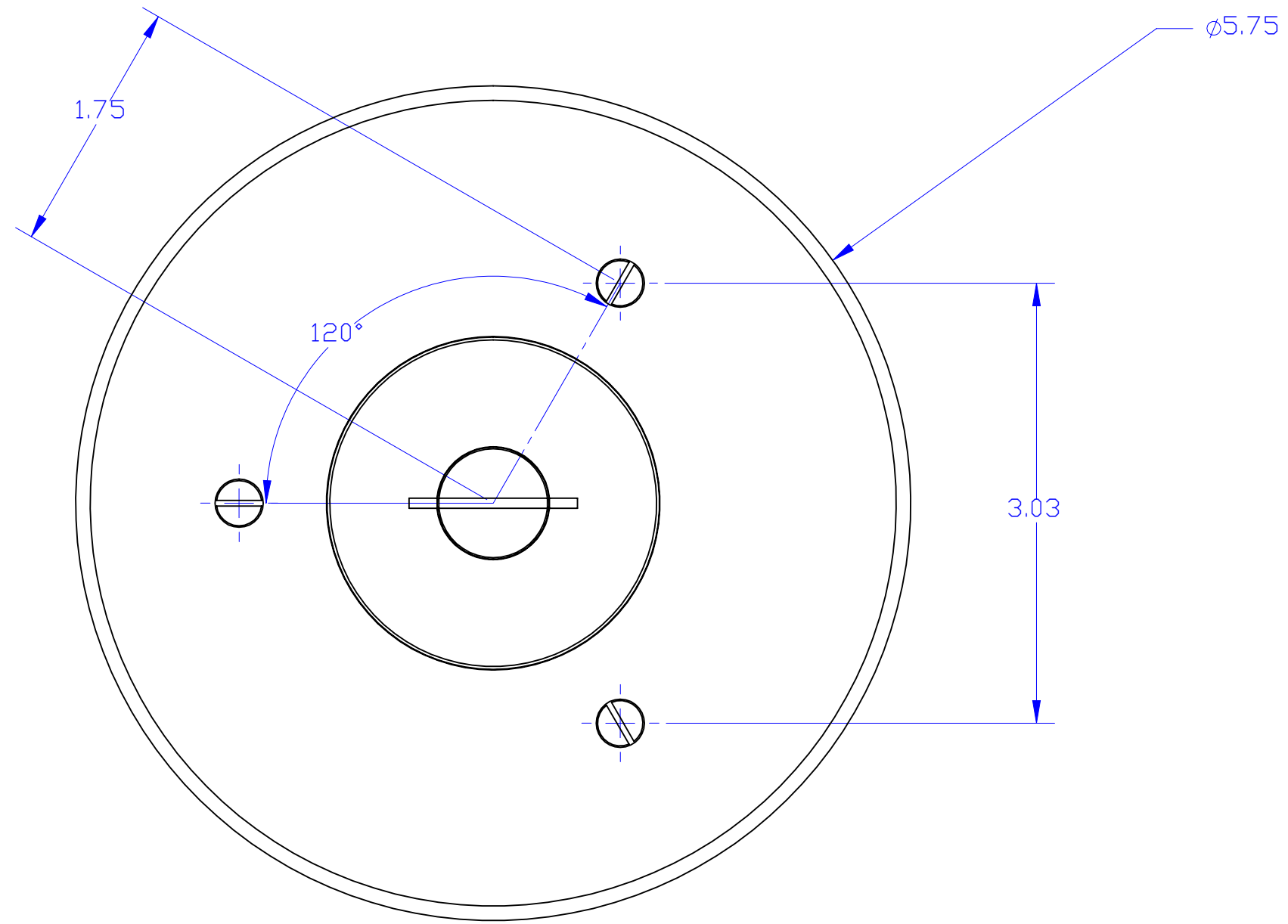



DESCRIPTION: NICKLE SILVER, 5 3/4" FLANGED COVER WITH 2-1/2" COMBO PLUG FOR COM/DATA OR SINGLE RECEPTACLE





**LEW ELECTRIC
FITTINGS COMPANY**
SERVING THE ELCTRICAL INDUSTRY SINCE 1901

371 Rabdy Rd, Carol Stream, IL 60188
PHONE: 630-665-2075

| | | | | |
|--|--|-----------|------------------|---|
| UNLESS OTHERWISE SPECIFIED: | | NAME | DATE | TITLE: TCP-1-NS |
| DIMENSIONS ARE IN INCHES | | DRAWN | P.J.G. 9/25/2007 | |
| TOLERANCES: | | | | SIZE DWG. NO. REV C 100120 A |
| FRACTIONAL ± | | | | |
| ANGULAR: MACH ± BEND ± | | | | |
| TWO PLACE DECIMAL ± THREE PLACE DECIMAL ± | | | | |
| INTERPRET GEOMETRIC TOLERANCING PER: | | COMMENTS: | | WEIGHT: SHEET 1 OF 3 |
| MATERIAL | | | | |
| FINISH | | | | |
| DO NOT SCALE DRAWING | | | | |