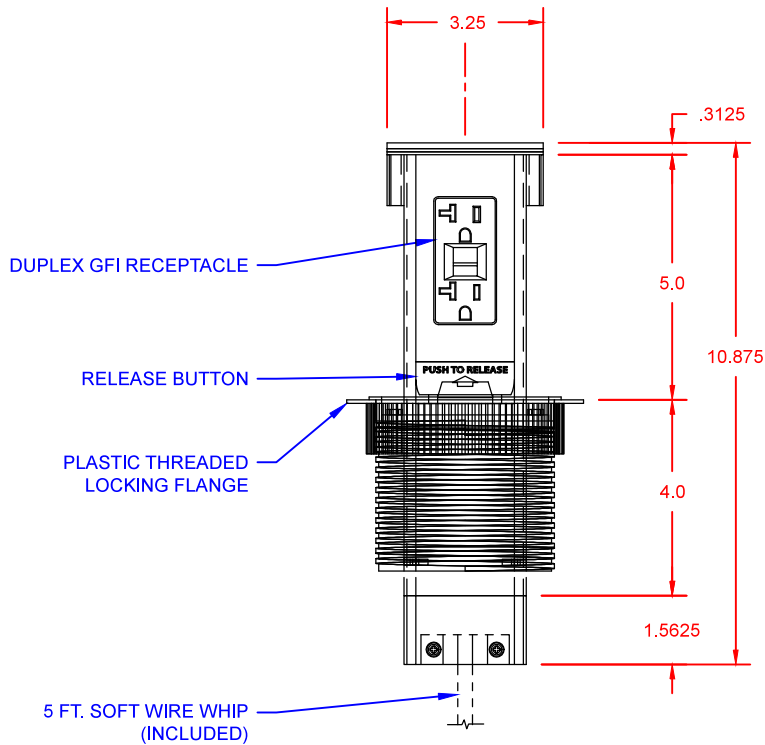
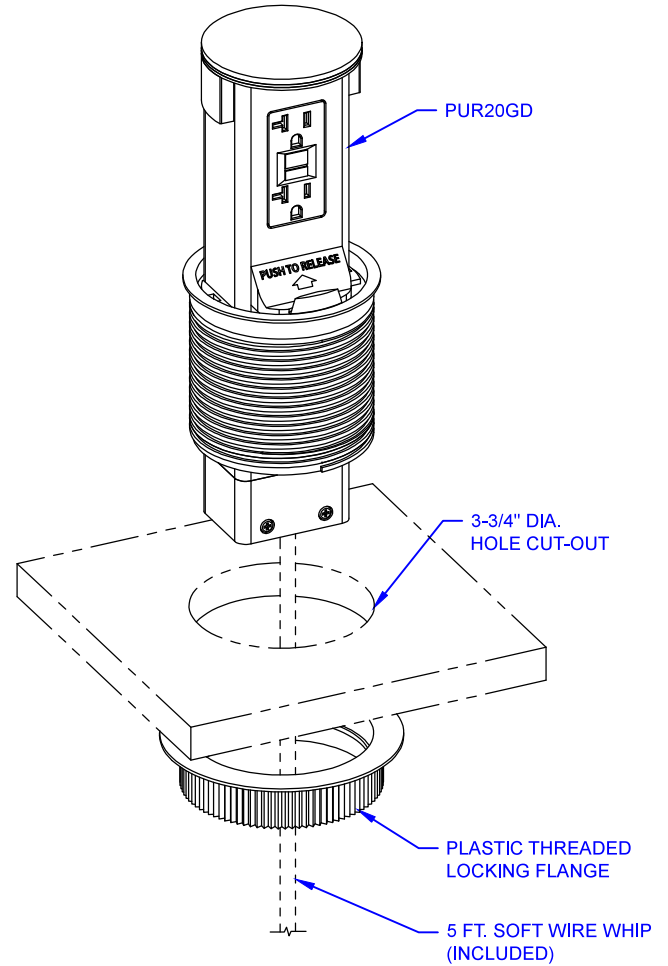



TOP VIEW



FRONT VIEW





LEW ELECTRIC FITTINGS COMPANY
SERVING THE ELECTRICAL INDUSTRY SINCE 1901
1626 Tobacco Road, Augusta, GA 30906
PHONE: 877.537.2019

UNLESS OTHERWISE SPECIFIED:		NAME	DATE	TITLE: PUR20GD
DIMENSIONS ARE IN INCHES:		DRAWN	SMK	
FRACTIONAL ±				SIZE DWG. NO. REV A 000001 A
TOLERANCES:				
ANGULAR: MACH ± BEND ±				
TWO PLACE DECIMAL ±				WEIGHT: SHEET 1 OF 1
THREE PLACE DECIMAL ±				
INTERPRET GEOMETRIC TOLERANCING PER:		COMMENTS:		
MATERIAL:				
FINISH:				
DO NOT SCALE DRAWING				