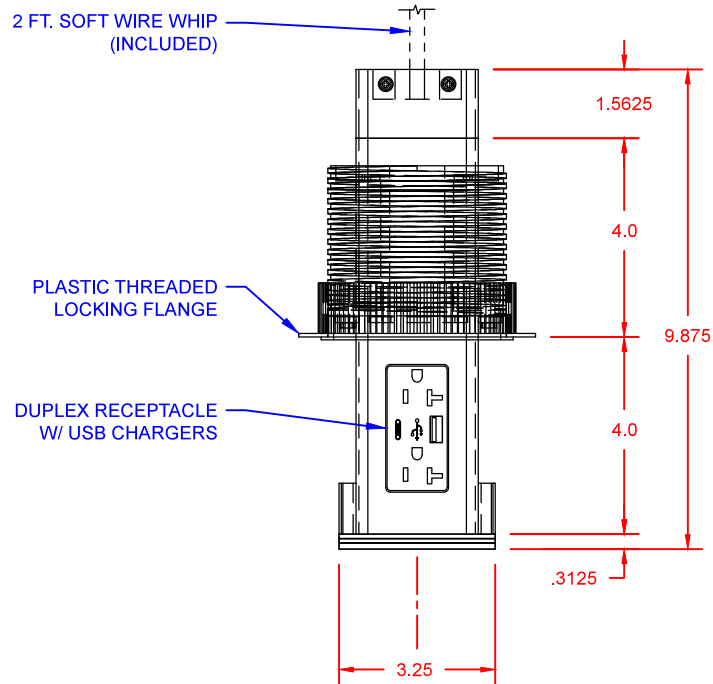
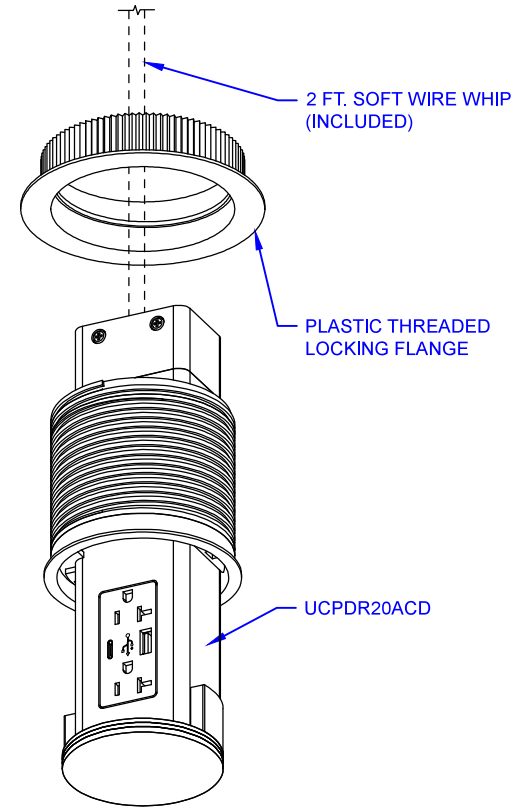



TOP VIEW



FRONT VIEW



**LEW ELECTRIC
FITTINGS COMPANY**
SERVING THE ELECTRICAL INDUSTRY SINCE 1901
1626 Tobacco Road, Augusta, GA 30906
PHONE: 877.537.2019

UNLESS OTHERWISE SPECIFIED:		NAME	DATE	TITLE: UCPDR20ACD
DIMENSIONS ARE IN INCHES		DRAWN	SMK	
TOLERANCES:				
FRACTIONAL ±				
ANGULAR: MACH ± BEND ±				
TWO PLACE DECIMAL ±				
THREE PLACE DECIMAL ±				
INTERPRET GEOMETRIC TOLERANCING PER:		COMMENTS:		
MATERIAL:		SIZE DWG. NO. REV		
FINISH:		A 000001 A		
DO NOT SCALE DRAWING		WEIGHT:		SHEET 1 OF 1