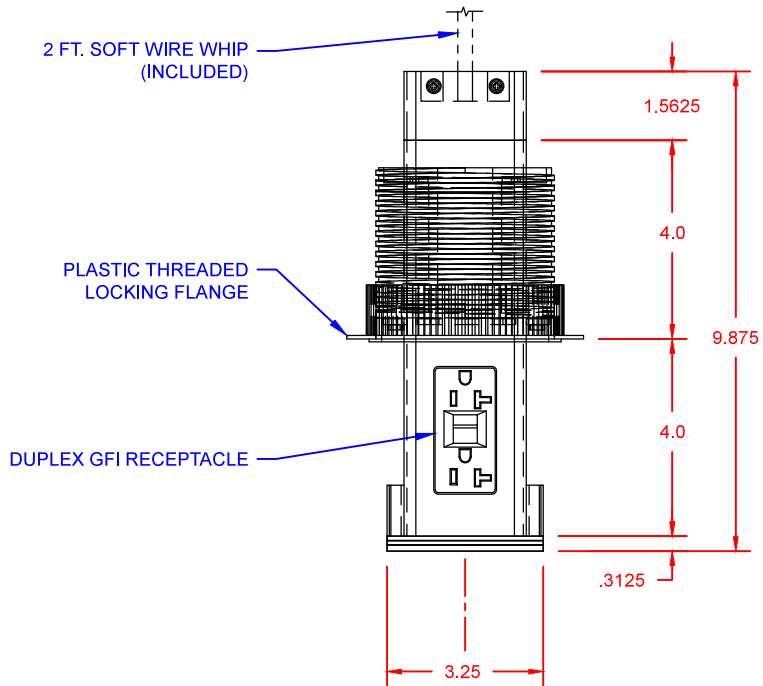
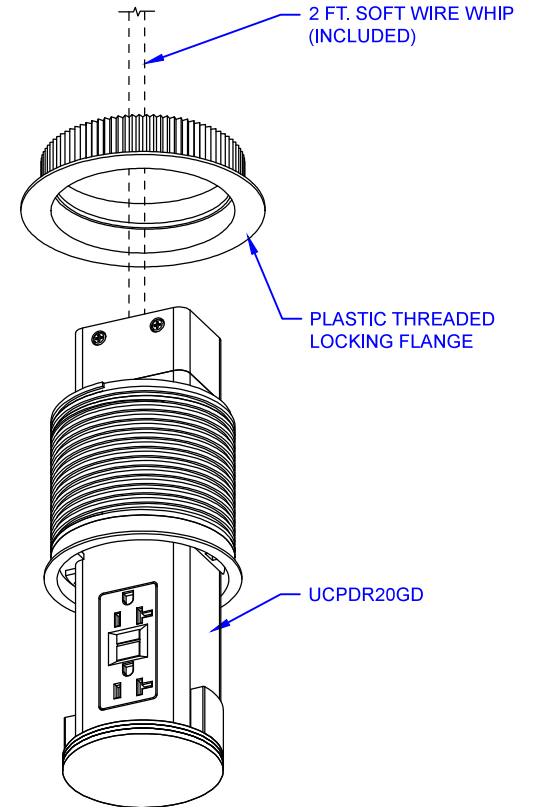



TOP VIEW



FRONT VIEW





**LEW ELECTRIC  
FITTINGS COMPANY**  
SERVING THE ELECTRICAL INDUSTRY SINCE 1901

1626 Tobacco Road, Augusta, GA 30906  
PHONE: 877.537.2019

UNLESS OTHERWISE SPECIFIED:		NAME	DATE	TITLE: <b>UCPDR20GD</b>
DIMENSIONS ARE IN INCHES:		DRAWN	SMK	
FRACTIONAL ±				
TOLERANCES:				
ANGULAR: MACH ±				
BEND ±				
TWO PLACE DECIMAL ±				
THREE PLACE DECIMAL ±				
INTERPRET GEOMETRIC TOLERANCING PER:		COMMENTS:		
MATERIAL:				SIZE DWG. NO. REV
FINISH:				<b>A</b> 000001 <b>A</b>
DO NOT SCALE DRAWING				WEIGHT: SHEET 1 OF 1