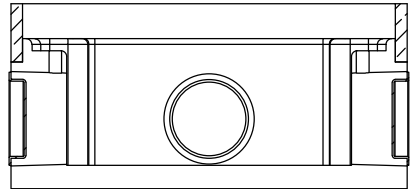
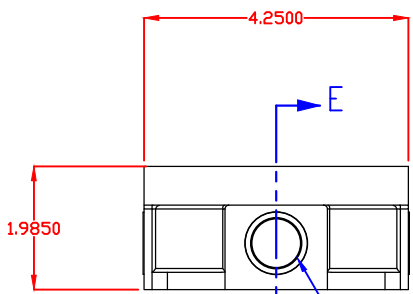


8 7 6 5 4 3 2 1

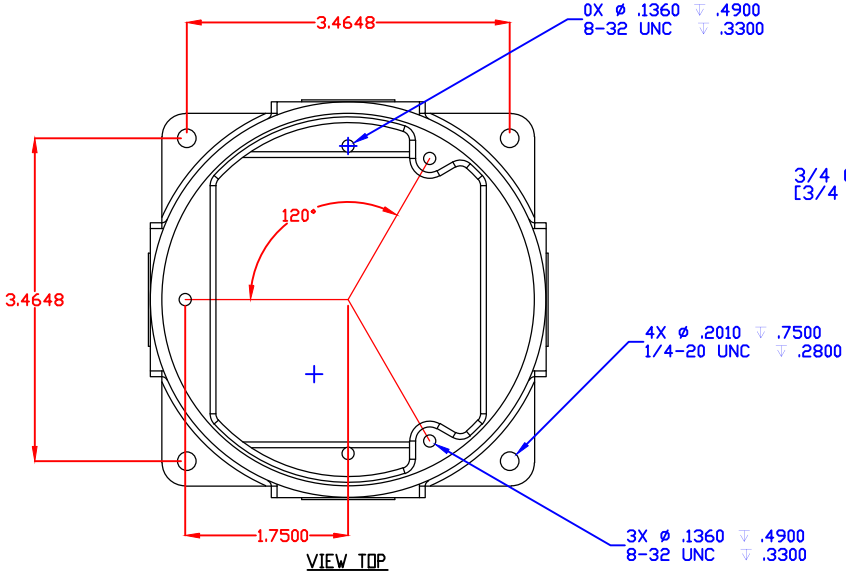
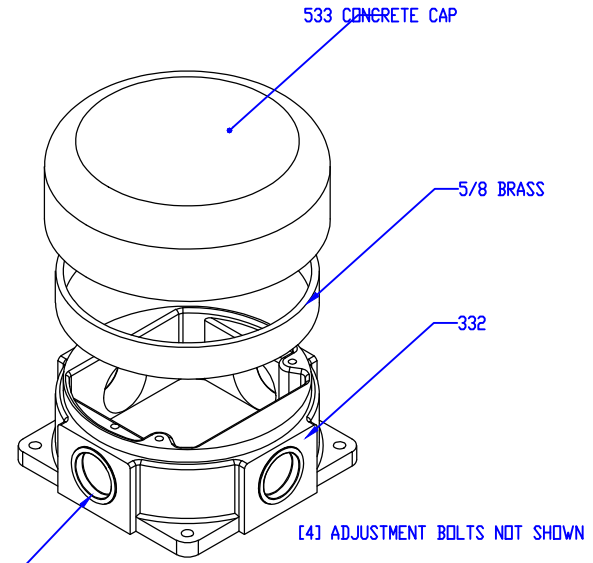


CROSS SECTION



VIEW FRONT

DESCRIPTION:
BRASS TILE FLANGE, DIE CAST ALUMINUM BOX, SEMI-ADJUSTABLE,
13 CU. IN. INTERIOR CAPACITY



VIEW TOP

		LEW ELECTRIC FITTINGS COMPANY SERVING THE ELCTRICAL INDUSTRY SINCE 1901	
		1626 Tobacco Road, Augusta, GA 30906 PHONE: 877.537.2019	
UNLESS OTHERWISE SPECIFIED: DIMENSIONS ARE IN INCHES TOLERANCES: FRACTIONAL: ± ANGULAR: INCH ± BEND TWO PLACE DECIMAL: ± THREE PLACE DECIMAL: ±	DRAWN: [] CHK: [] DATE: 07/01/2004	NAME: [] DATE: []	TITLE: 332-DA
INTERPRET GEOMETRIC TOLERANCING PER: MATERIAL: FINISH: DO NOT SCALE DRAWING	COMMENTS:	SIZE: DWG. NO. C 1001280	REV A
		WEIGHT:	SHEET 1 OF 1

8 7 6 5 4 3 2 1