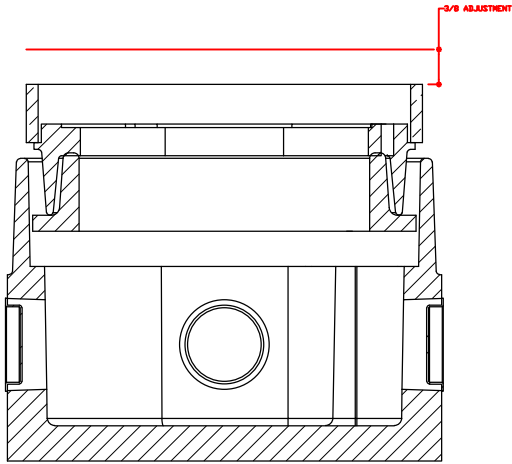
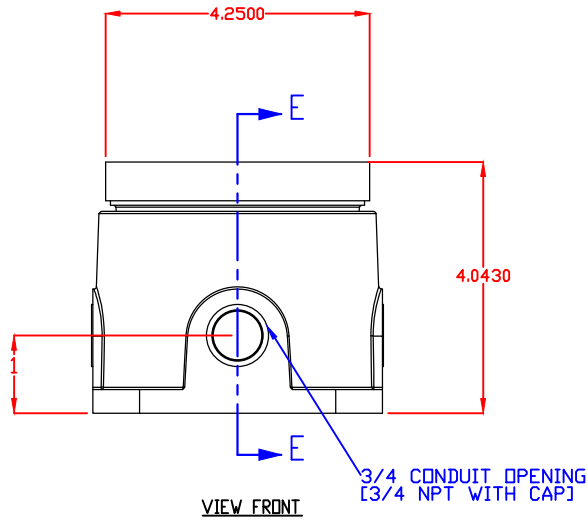


DESCRIPTION:

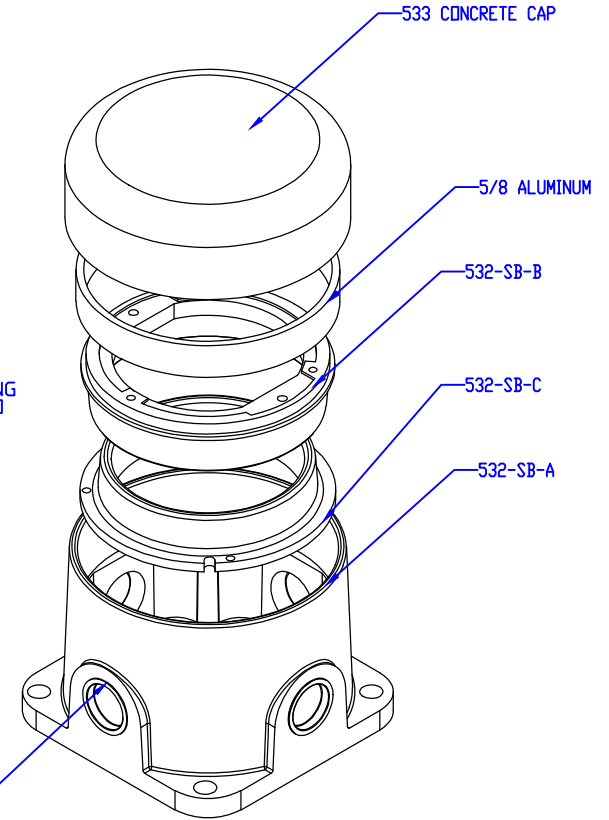
ALUMINUM TILE FLANGE, DIE CAST ALUMINUM BOX, FULLY-ADJUSTABLE,
32 CU IN. INTERIOR CAPACITY



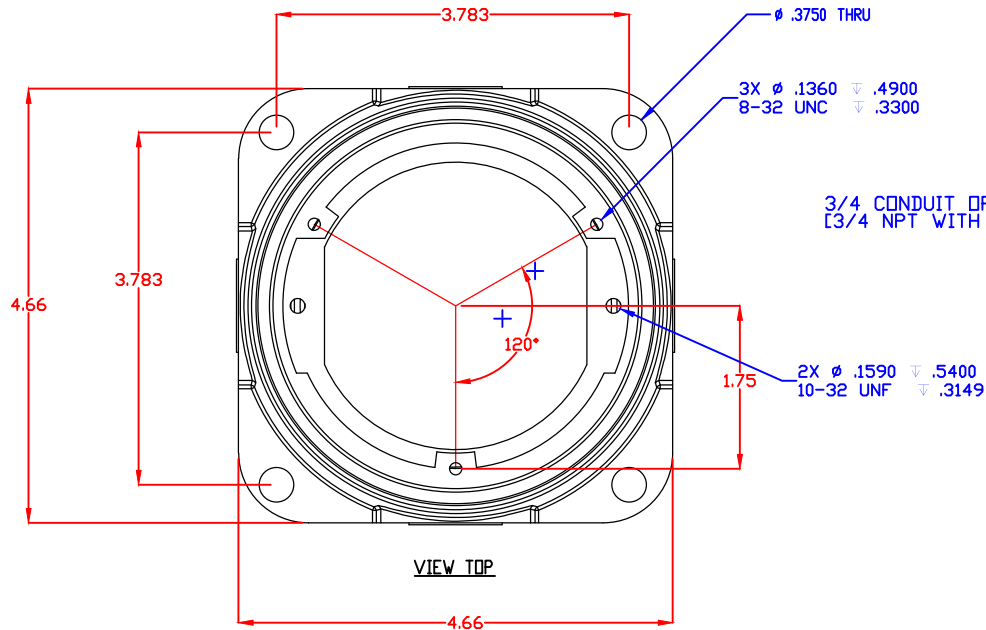
CROSS SECTION




VIEW FRONT



EXPLODED



VIEW TOP

 <p>LEW ELECTRIC FITTINGS COMPANY SERVING THE ELCTRICAL INDUSTRY SINCE 1901</p> <p>1626 Tobacco Road, Augusta, GA 30906 PHONE: 877.537.2019</p>		<p>UNLESS OTHERWISE SPECIFIED</p>		<p>NAME</p>	<p>DATE</p>
		<p>DIMENSIONS ARE IN INCHES</p> <p>TOLERANCES:</p> <p>FRACTIONAL: ±</p> <p>ANGULAR: INCH ± BEND</p> <p>TWO PLACE DECIMAL: ±</p> <p>THREE PLACE DECIMAL: ±</p>	<p>DRAWN</p>	<p>CHK</p>	<p>07/01/2004</p>
<p>INTERPRET GEOMETRIC TOLERANCING PER:</p>	<p>COMMENTS:</p>			<p>SIZE DWG. NO.</p> <p>C 1001300</p>	<p>REV</p> <p>A</p>
<p>MATERIAL:</p>	<p>FINISH:</p>			<p>WEIGHT:</p>	<p>SHEET 1 OF 1</p>
<p>DO NOT SCALE DRAWING</p>					