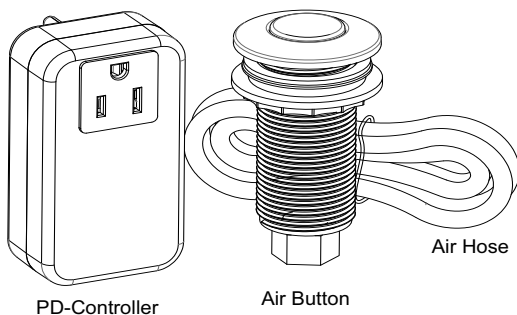


GARBAGE DISPOSAL AIR SWITCH KIT INSTALLATION INSTRUCTIONS

Product Diagram



Part Number:
PDAS-XX (XX IS COLOR)

Rated Voltage:
110V~220V

Features:

- For indoor use only.
- Use together with garbage disposal

Usage Guidelines:
Machine will operate after finishing installation and pushing the air button. When garbage cleared, push the button again to stop it.

PRIOR TO INSTALLATION

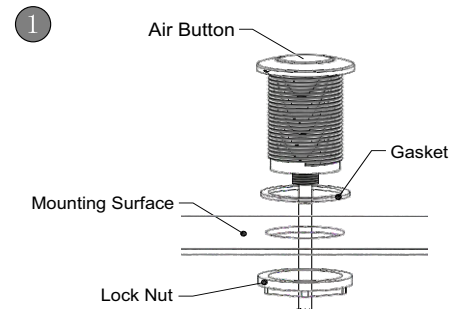
- Contact a local electrical inspector to ensure that this product meets or exceeds all local electrical codes (electrical codes may vary by location).
- Ensure all power sources are disconnected and turned off before installation.
- Only licensed, insured, and bonded electrical contractors are authorized to install the PDAS.
- Lew Electric accepts no responsibility if the above conditions are not strictly followed.

****CONTROLLER WILL WORK WITH GARBAGE DISPOSALS UP TO 1HP****

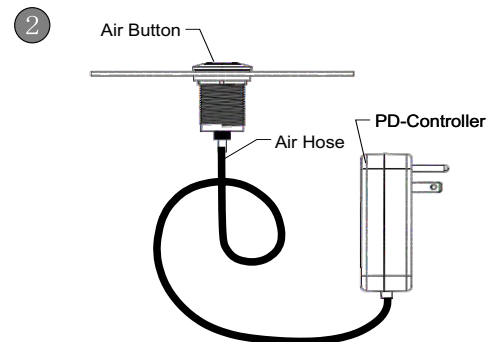
****PDAS CAN ACCOMMODATE A HOLE SIZE UP TO 1.5 INCHES****

**Attention: Make sure that air hose is in place and choose proper power.
To avoid electric shock, please don't operate with wet hands.**

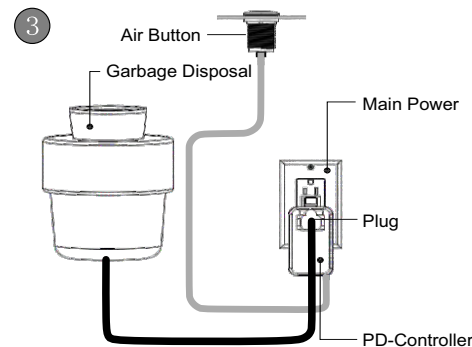
Installation Steps



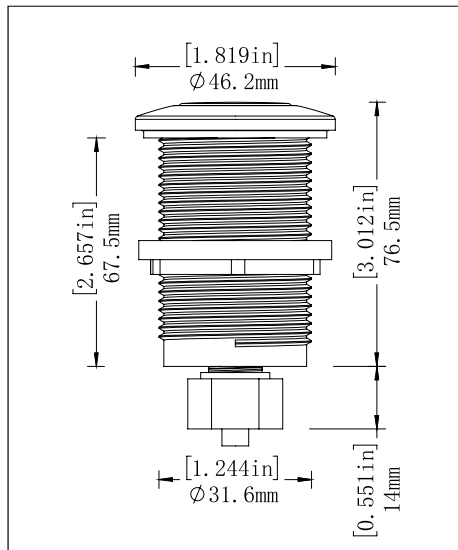
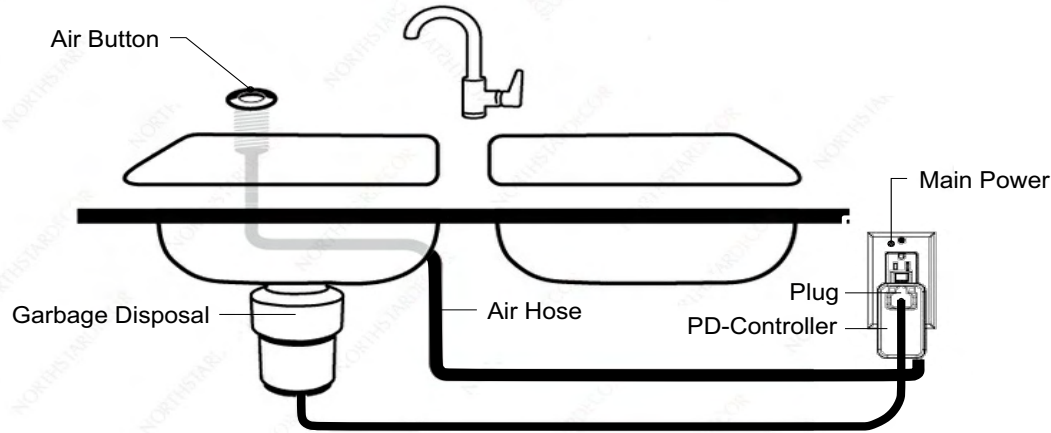
Cut out a 1 3/8 inch hole on the surface. Remove the lock nut from the air button and set aside. Drop the air button in the hole. Thread the lock nut back onto the air button and hand tighten the lock nut until the air button is secure to the surface.



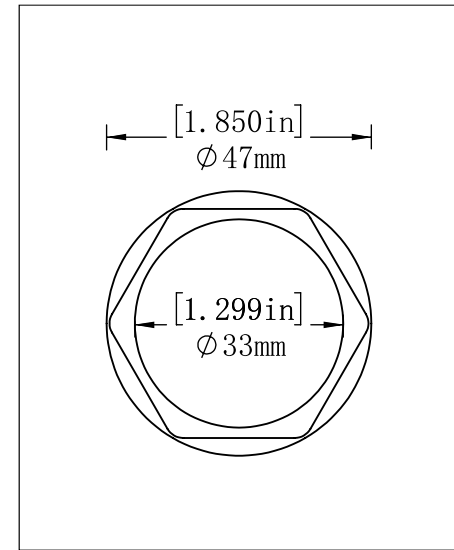
Connect the black air hose to the air button. To do this, unscrew the nut from the bottom of the air button, run the black air hose through the bottom of the nut, attach the black air hose to the bottom of the air button and then hand tighten the nut back onto the bottom of the air button.



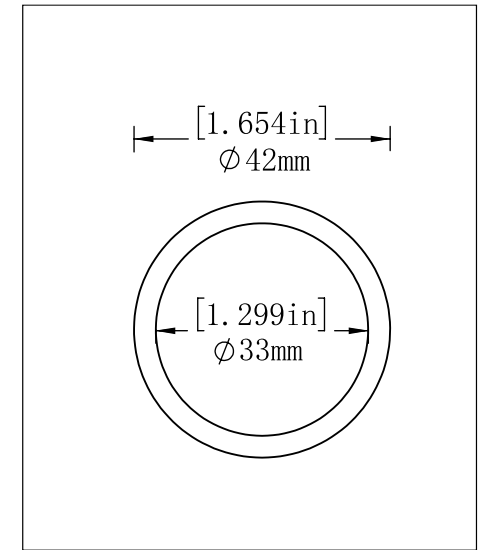
Attach the other end of the black air hose onto the PD-controller, pressing firmly until the hose stops moving. Plug the PD-controller into an approved GFCI receptacle or a standard receptacle that is connected to a GFCI circuit breaker.



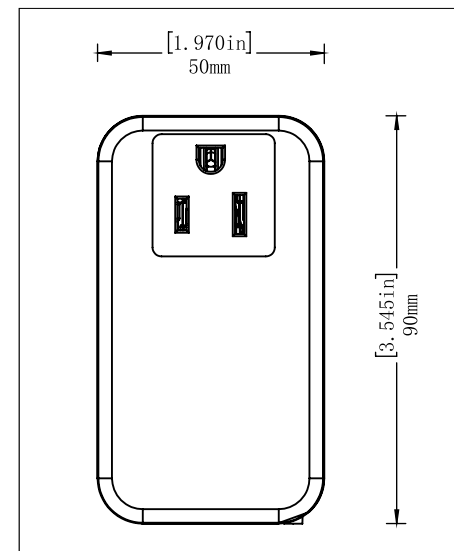
Air Button



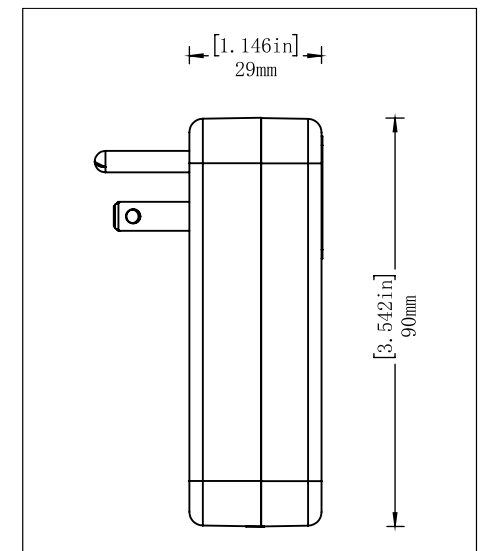
Lock Nut



Gasket



PD-Controller (Front)



PD-Controller (Side)