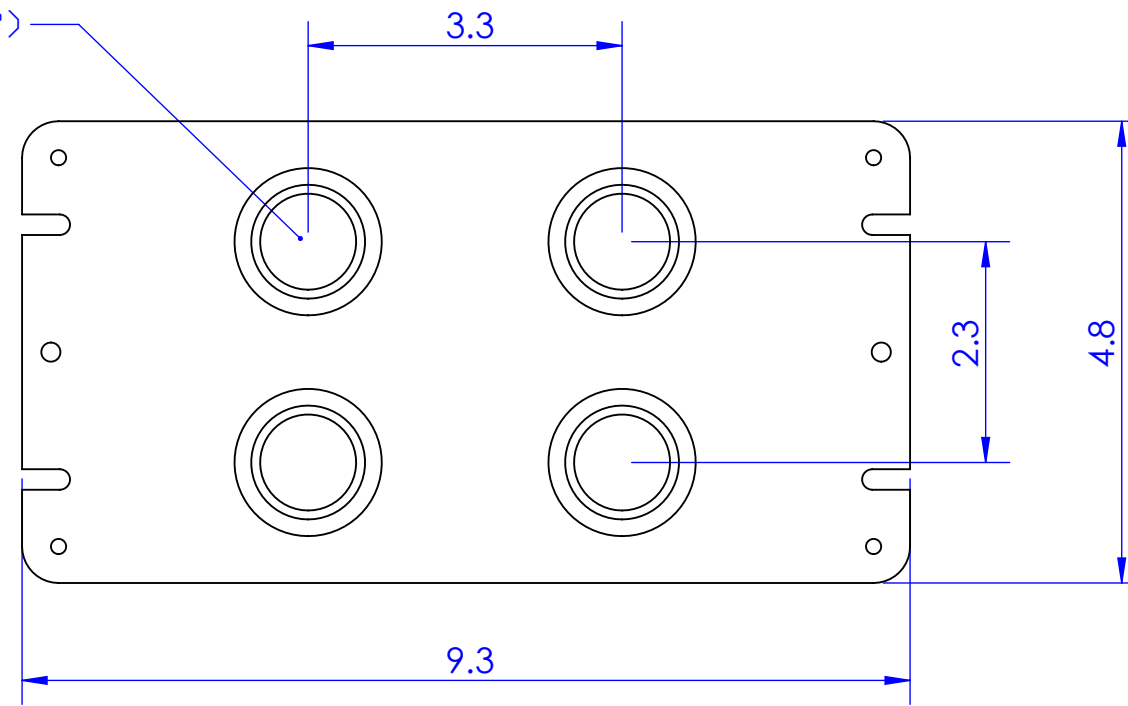


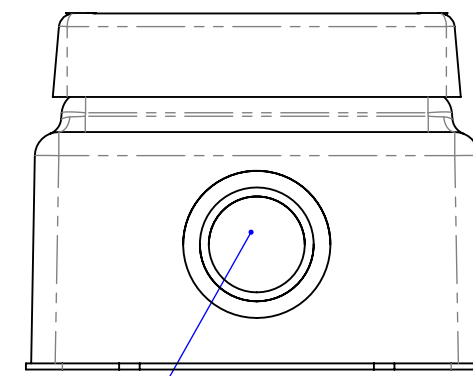
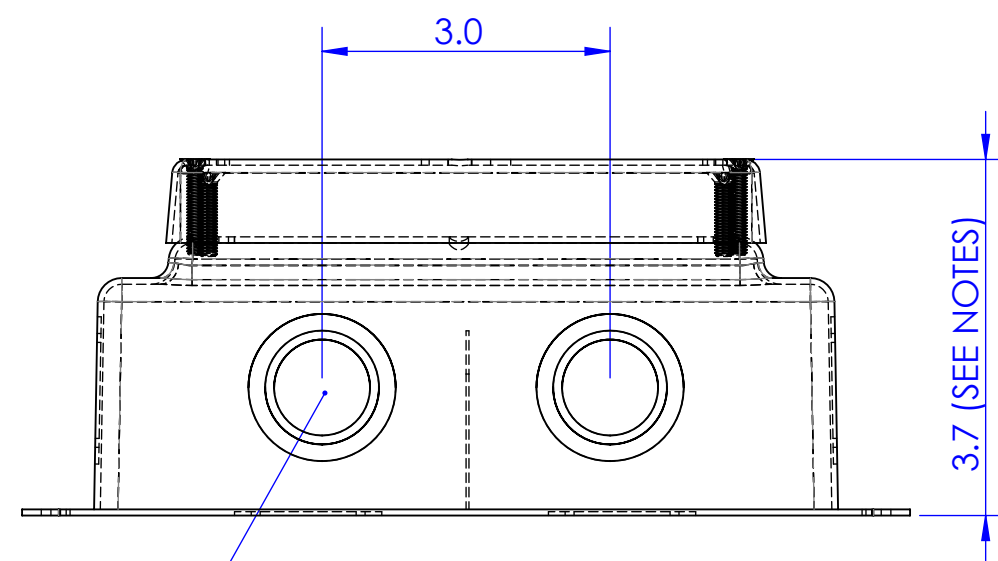
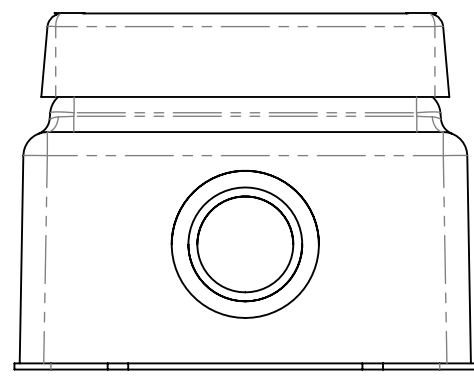
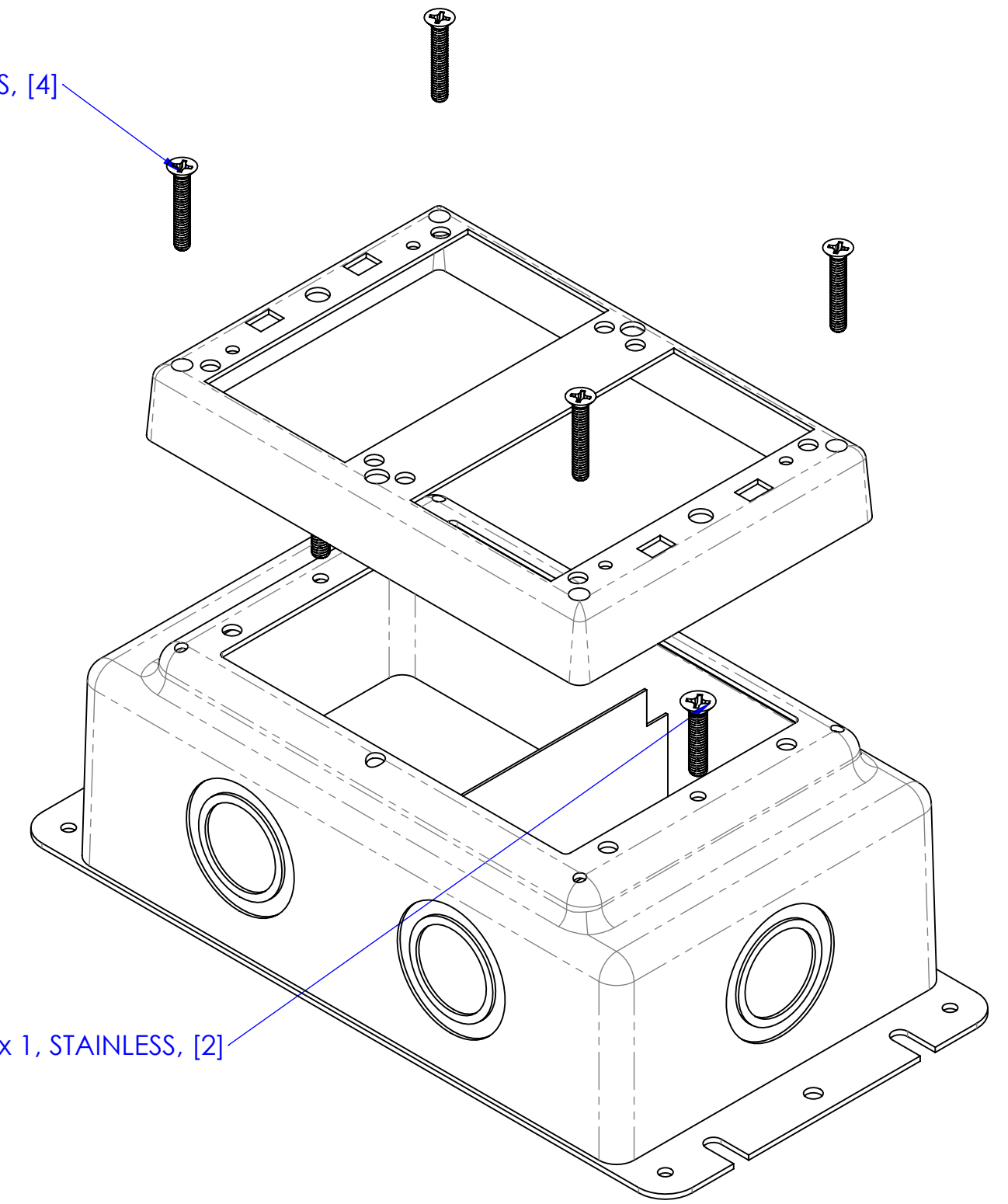
3/4", 1", 1 1/4", INCH KNOCK OUT (TYP)



DESCRIPTION:
Two gang, deep stamped steel floor box 3 7/16" H x 7 7/8" L x 4 13/16" W; 48.5 Cu. In. per gang

All boxes UL listed #514A
Tile frames not included with stamped steel floor box.
All tile frames 5/8" overall height
All boxes pre-pour adjustment of 2 1/4" and after pour adjustment 1/2"

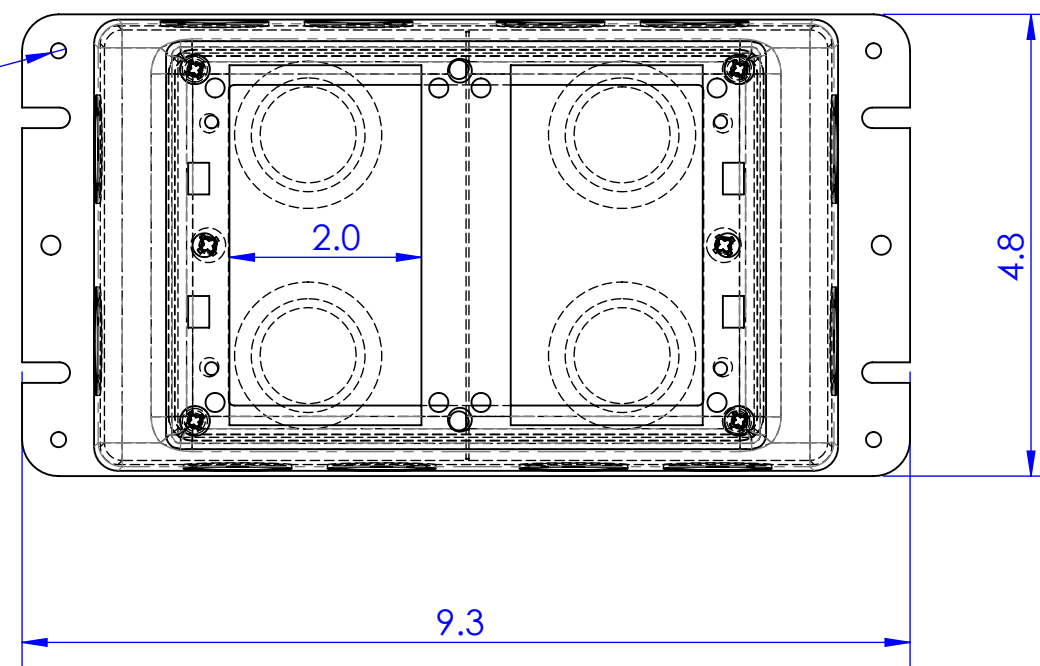
8-32 x 1, STAINLESS, [4]



3/4", 1", 1 1/4", INCH KNOCK OUT (TYP)

3/4", 1", 1 1/4", INCH KNOCK OUT (TYP)

4X Ø .2 THRU ALL
10-32 UNF THRU ALL



10-32 x 1, STAINLESS, [2]

LEW ELECTRIC
FITTINGS COMPANY
SERVING THE ELECTRICAL INDUSTRY SINCE 1901
1801 W. St. Charles Rd. Maywood, IL 60153
PHONE: 708-345-2075

UNLESS OTHERWISE SPECIFIED:	NAME	DATE	TITLE:
DIMENSIONS ARE IN INCHES	DRAWN	P.J.G.	
TOLERANCES:			1102-SMB
FRACTIONAL ±			
ANGULAR: MACH ± BEND ±			
TWO PLACE DECIMAL ±			
THREE PLACE DECIMAL ±			
INTERPRET GEOMETRIC TOLERANCING PER:	COMMENTS:		SIZE DWG. NO.
MATERIAL			C
FINISH			REV
DO NOT SCALE DRAWING			-
	WEIGHT:	SHEET 4 OF 6	