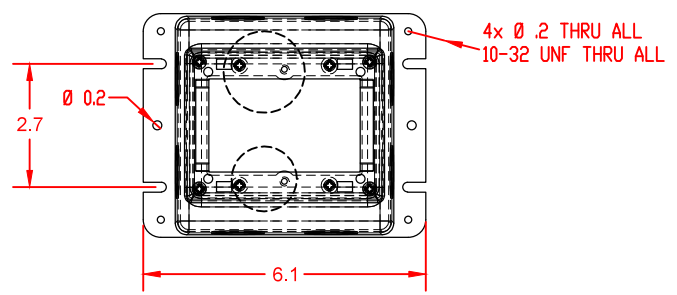
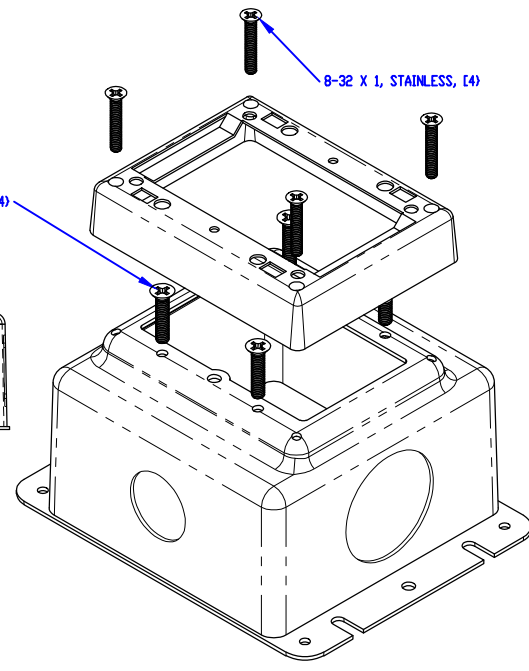


FRONT VIEW



DESCRIPTION
 One gang, deep stamped steel floor box »»» 3 7/8" H x 4 13/16" L x 4 13/16" W, 50.3 Cu. In.
 All boxes UL listed #514A
 The frames not included with stamped steel floor box.
 All tile frames 5/8" overall height.
 All boxes pre-pour adjustment of 2 1/4" and after pour adjustment 1/2"



ISOMETRIC VIEW

LEW ELECTRIC FITTINGS COMPANY
 Providing the power to design your vision
 1626 Tobacco Road, Augusta, GA 30906 • PHONE: 877.537.2019

UNLESS OTHERWISE SPECIFIED:		NAME	DATE	TITLE: 1101-SMB
DIMENSIONS ARE IN INCHES	DRAWN	SK	4/13/2026	
TOLERANCES:				INTERPRET GEOMETRIC TOLERANCING PER:
FRACTIONAL ±				
ANGULAR: BACH ± BEND				
TWO PLACE DECIMAL ±				COMMENTS:
THREE PLACE DECIMAL ±				
FINISH:				SIZE DWG. NO. REV
DO NOT SCALE DRAWING				C 0000000 A
				WEIGHT: SHEET 1 OF 1