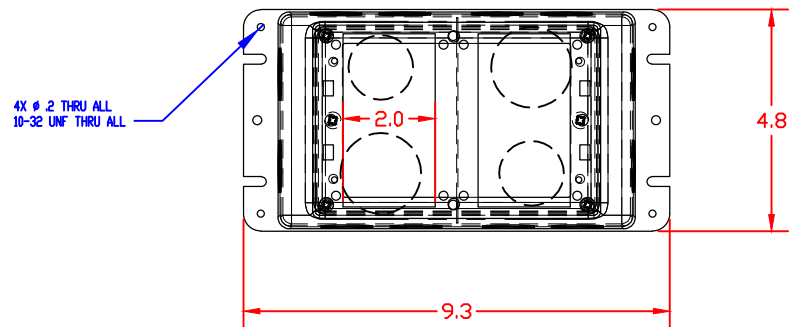
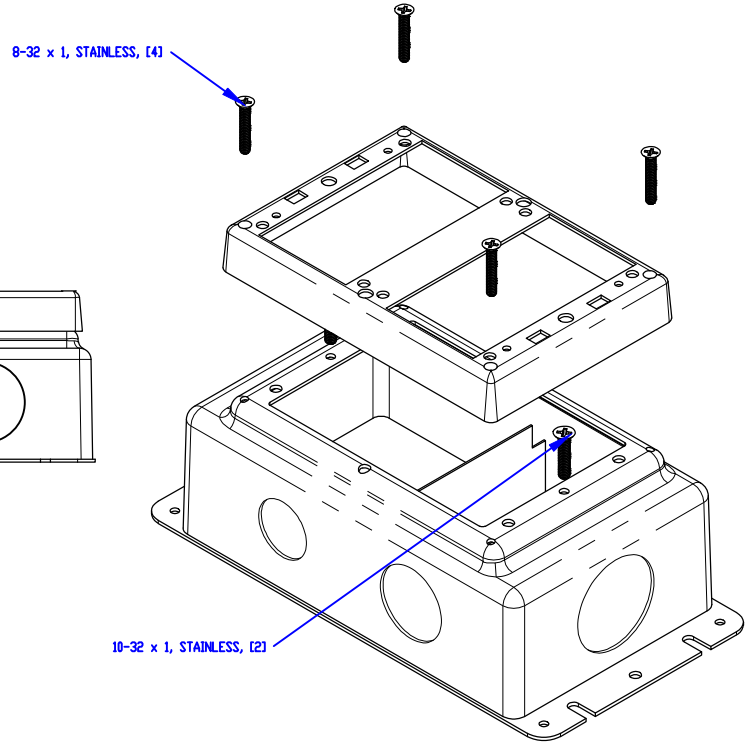


FRONT VIEW



DESCRIPTION:
 Two gang, deep stamped steel floor box 3 7/16" H x 7 7/8" L x 4 13/16" W; 48.5 Cu. In. per gang
 All boxes UL listed #514A
 Tile frames not included with stamped steel floor box.
 All tile frames 5/8" overall height
 All boxes pre-pour adjustment of 2 1/4" and after pour adjustment 1/2"



ISOMETRIC VIEW



1626 Tobacco Road, Augusta, GA 30906 · PHONE: 877.537.2019

UNLESS OTHERWISE SPECIFIED:		NAME	DATE	TITLE: 1102-SMB
DIMENSIONS ARE IN INCHES		DRAWN	SK	
TOLERANCES				SIZE DWG. NO. C 0000000
FRACTIONAL ±				
ANGULAR MATCH ±				
TWO PLACE DECIMAL ±				
THREE PLACE DECIMAL ±				REV A
INTERPRET GEOMETRIC TOLERANCING PER MATERIAL		COMMENTS		
FINISH				WEIGHT:
DO NOT SCALE DRAWING				SHEET 1 OF 1