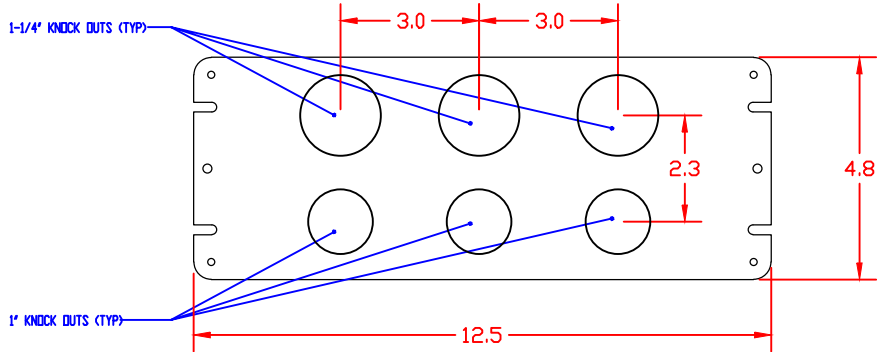
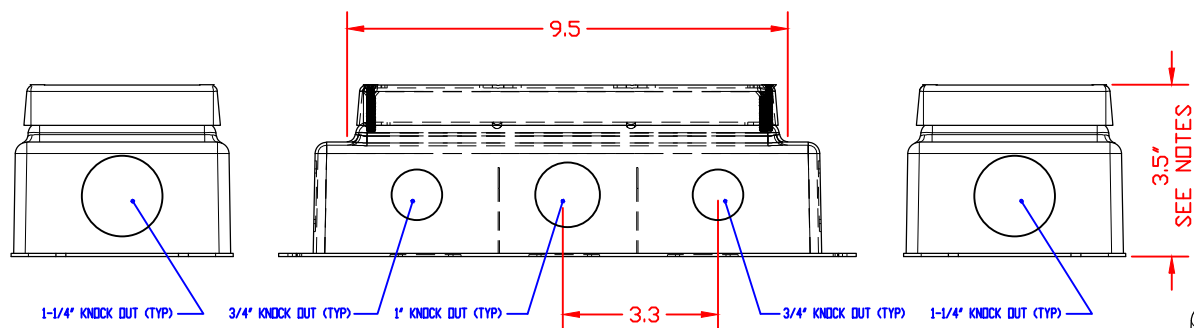


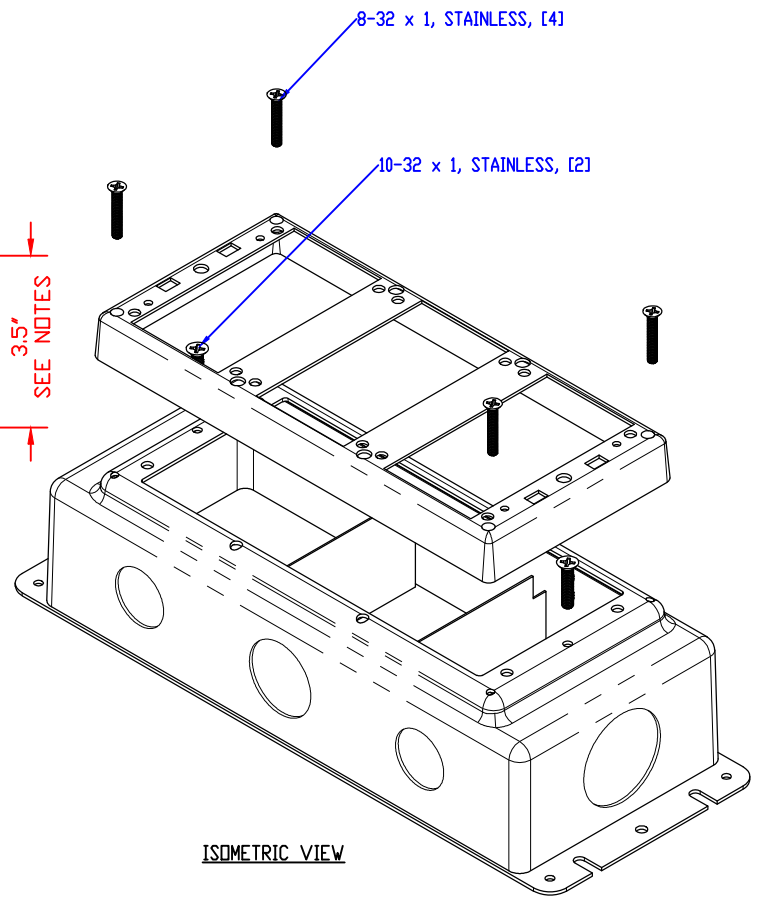
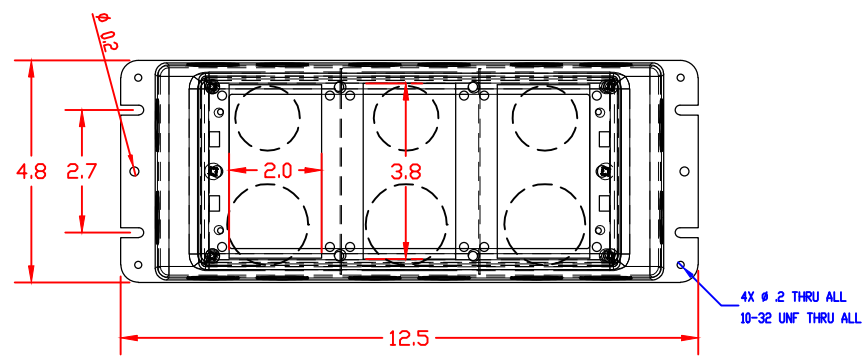
8 7 6 5 4 3 2 1



DESCRIPTION:
 Three gang, deep stamped steel floor box, 3 3/8" H x 11 1/16" L x 4 11/16" W; 38.3 Cu. In. per gang
 All boxes UL listed #514A
 Tile frames not included with stamped steel floor box.
 All tile frames 5/8" overall height
 All boxes pre-pour adjustment of 2 1/4" and after pour adjustment 1/2"



FRONT VIEW



ISOMETRIC VIEW



1626 Tobacco Road, Augusta, GA 30906 · PHONE: 877-537-2019

UNLESS OTHERWISE SPECIFIED:		NAME	DATE	TITLE: 1103-SMB	
DIMENSIONS ARE IN INCHES		DRAWN	SK		4/13/2006
TOLERANCES					
FRACTIONAL ±					
ANGULAR MATCH ±					
TWO PLACE DECIMAL ±					
THREE PLACE DECIMAL ±					
INTERPRET GEOMETRIC TOLERANCING PER:		COMMENTS:			
MATERIAL					
FINISH					
DO NOT SCALE DRAWING					
SIZE	DWG. NO.	REV			
C	0000000	A			
WEIGHT:	SHEET 1 OF 1				

8 7 6 5 4 3 2 1