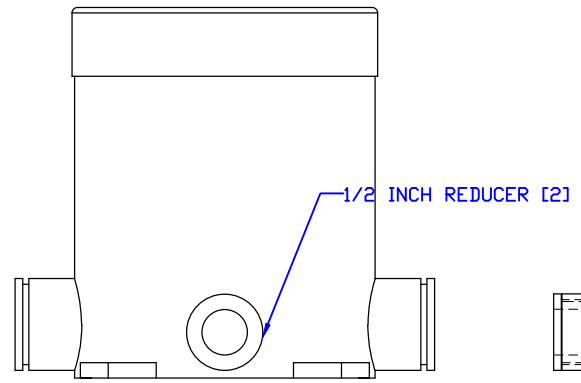
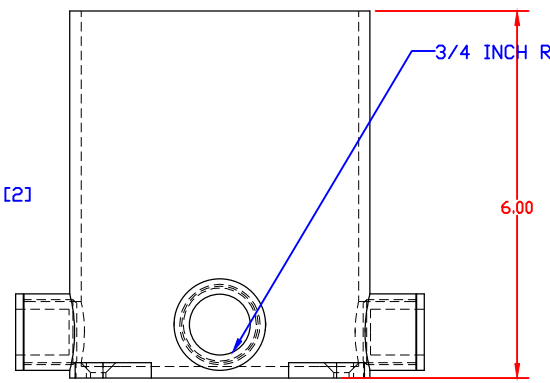


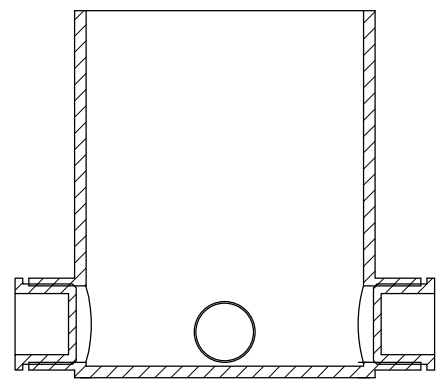
TOP VIEW



FRONT VIEW



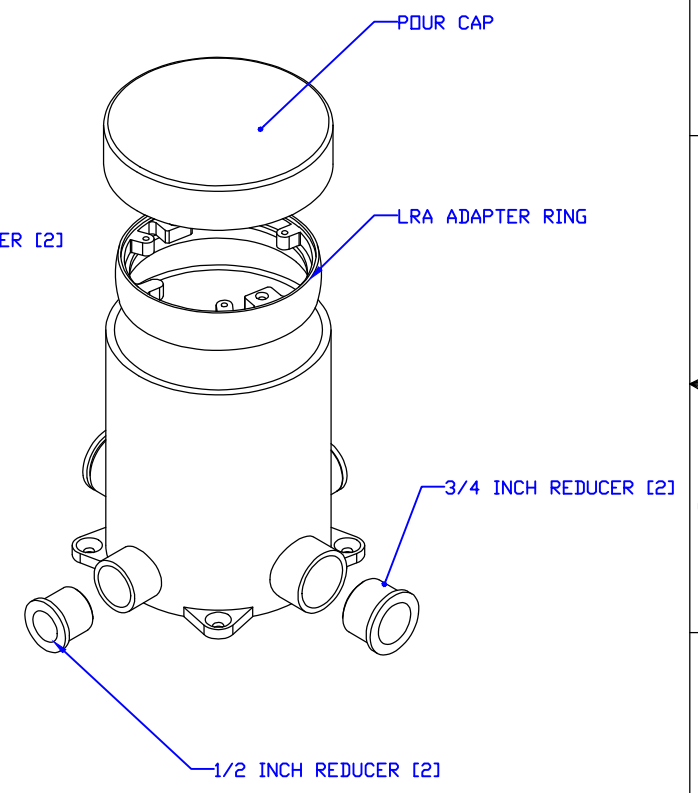
RIGHT VIEW



SECTION A-A

DESCRIPTION:  
 ROUND PVC BOX WITH (4) 3/4" HUBS, (2) 1"  
 HUBS, (2) 3/4" REDUCERS, 5" 6" 90 CU. IN.  
 (15.5/IN.) (4) 1/2" REDUCERS, ADAPTER RING INCLUDED

NOTES: INTERIOR CAPACITY 90 Cu. In. (15.5/In.)



1626 Tobacco Road, Augusta, GA 30906 • PHONE: 877.537.2019

UNLESS OTHERWISE SPECIFIED:	NAME	DATE	TITLE:	
DIMENSIONS ARE IN INCHES	DRAWN	SK	04/28/2026	FBLEW
TOLERANCES:				
FRACTIONAL ±				
ANGULAR 30 MIN ±				
TWO PLACE DECIMAL ±				
THREE PLACE DECIMAL ±				
INTERPRET GEOMETRIC TOLERANCING PER:	COMMENTS:		SIZEDWG. NO.	REV
MATERIAL:			C 100190	A
FINISH:			WEIGHT:	SHEET 1 OF 1
DO NOT SCALE DRAWING				