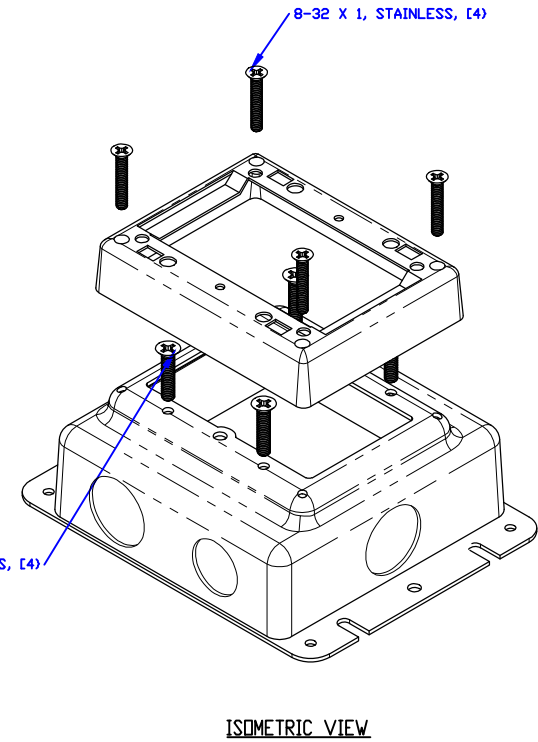
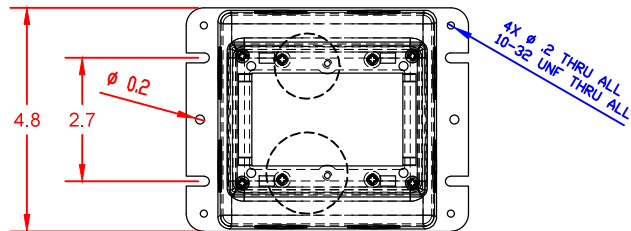
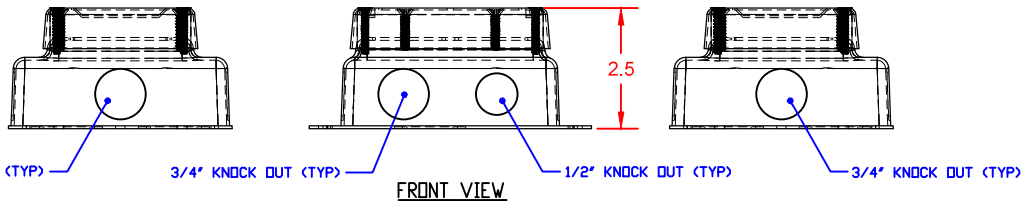
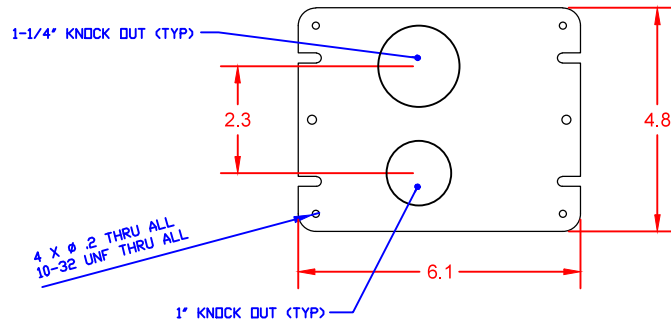


DESCRIPTION:  
 One gang, shallow stamped steel floor box. 2 13/16" H X  
 4 13/16" L x 4 13/16" W; 315 Cu. In.  
 All boxes UL listed #514A  
 Tile frames not included with stamped steel floor box.  
 All tile frames 5/8" overall height  
 All boxes pre-pour adjustment of 2 1/4" and after pour  
 adjustment 1/2"



**LEW ELECTRIC**  
**FITTINGS COMPANY**  
 Providing the power to design your vision  
 1626 Tobacco Road, Augusta, GA 30906 • PHONE: 877.537.2019

UNLESS OTHERWISE SPECIFIED:	NAME	DATE	TITLE: SH-1101-SMB
DIMENSIONS ARE IN INCHES	DRAWN	SK	
TOLERANCES:			
FRACTIONAL: ±			
ANGULAR: BACH ± BEND			
TWO PLACE DECIMAL: ±			
THREE PLACE DECIMAL: ±			
INTERPRET GEOMETRIC TOLERANCING PER:	COMMENTS:		
MATERIAL:			SIZE DWG. NO. REV
FINISH:			C 0000000 A
DO NOT SCALE DRAWING			WEIGHT: SHEET 1 OF 1