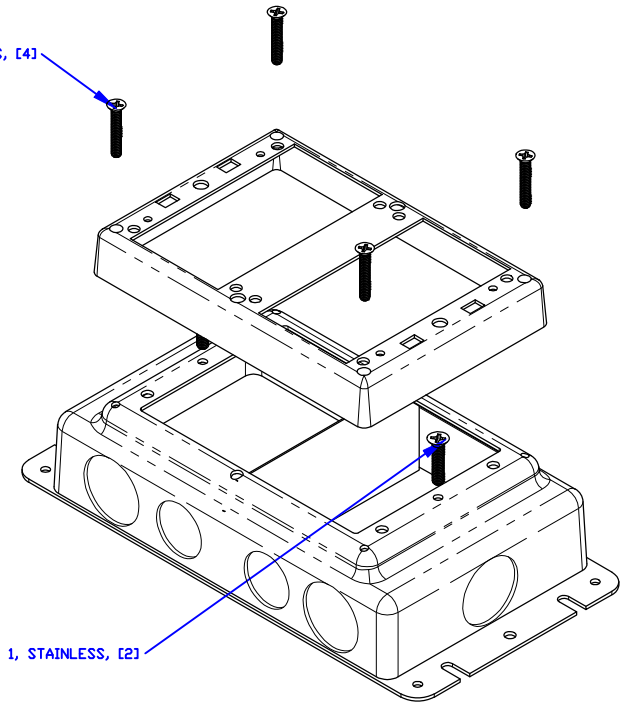


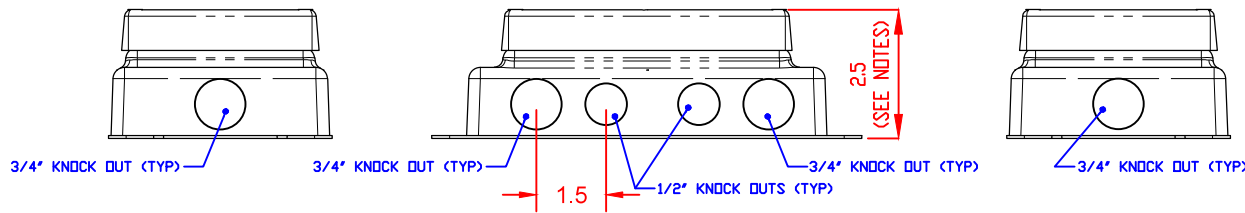
DESCRIPTION:
 Two gang, shallow stamped steel floor box 2 9/16" H X
 7 7/8" L x 4 13/16" W; 335 Cu. In. per gang
 All boxes UL listed #514A
 Tile frames not included with stamped steel floor box.
 All tile frames 5/8" overall height
 All boxes pre-pour adjustment of 2 1/4" and after pour
 adjustment 1/2"

8-32 x 1, STAINLESS, [4]

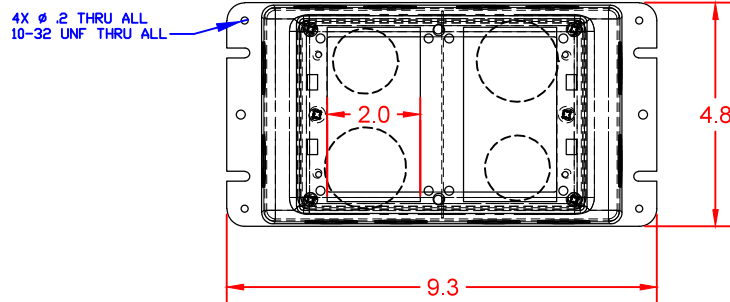



10-32 x 1, STAINLESS, [2]

ISOMETRIC VIEW



FRONT VIEW





**LEW ELECTRIC
FITTINGS COMPANY**
 Providing the power to design your vision

1626 Tobacco Road, Augusta, GA 30906 • PHONE: 877.537.2019

UNLESS OTHERWISE SPECIFIED:		NAME	DATE	TITLE: SH-1102-SMB
DIMENSIONS ARE IN INCHES		DRAWN	SK	
TOLERANCES:				INTERPRET GEOMETRIC TOLERANCING PER:
FRACTIONAL ±				
ANGULAR: BACH ± BEND				
TWO PLACE DECIMAL ±				SIZE DWG. NO. C 0000000
THREE PLACE DECIMAL ±				
MATERIAL:		COMMENTS:		REV A
FINISH:				
DO NOT SCALE DRAWING				WEIGHT: SHEET 1 OF 1