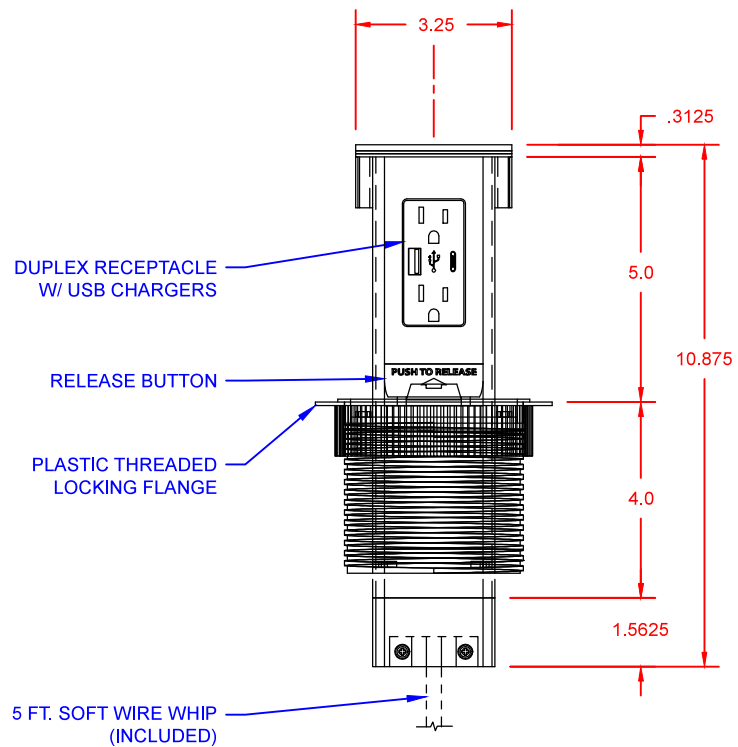
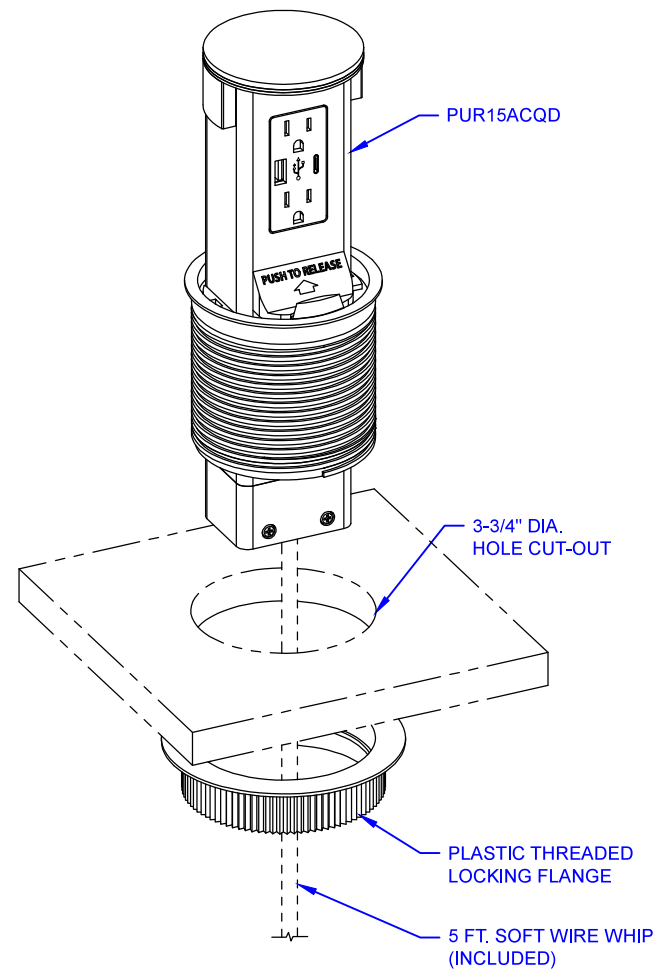


BOTTOM VIEW



FRONT VIEW



1626 Tobacco Road, Augusta, GA 30906 • PHONE: 877.537.2019

UNLESS OTHERWISE SPECIFIED:		NAME	DATE	TITLE: PUR15ACQD
DIMENSIONS ARE IN INCHES		SMK	06/12/2024	
TOLERANCES:		REVIEWED	SMK	04/28/2024
FRACTIONAL ±				
ANGULAR: MACH ± BEND ±				
TWO PLACE DECIMAL ±				
THREE PLACE DECIMAL ±				
INTERPRET GEOMETRIC TOLERANCING PER:		COMMENTS:		
MATERIAL:		SIZE	DWG. NO.	REV
FINISH:		A	0000000	A
DO NOT SCALE DRAWING		WEIGHT:	SHEET 1 OF 1	