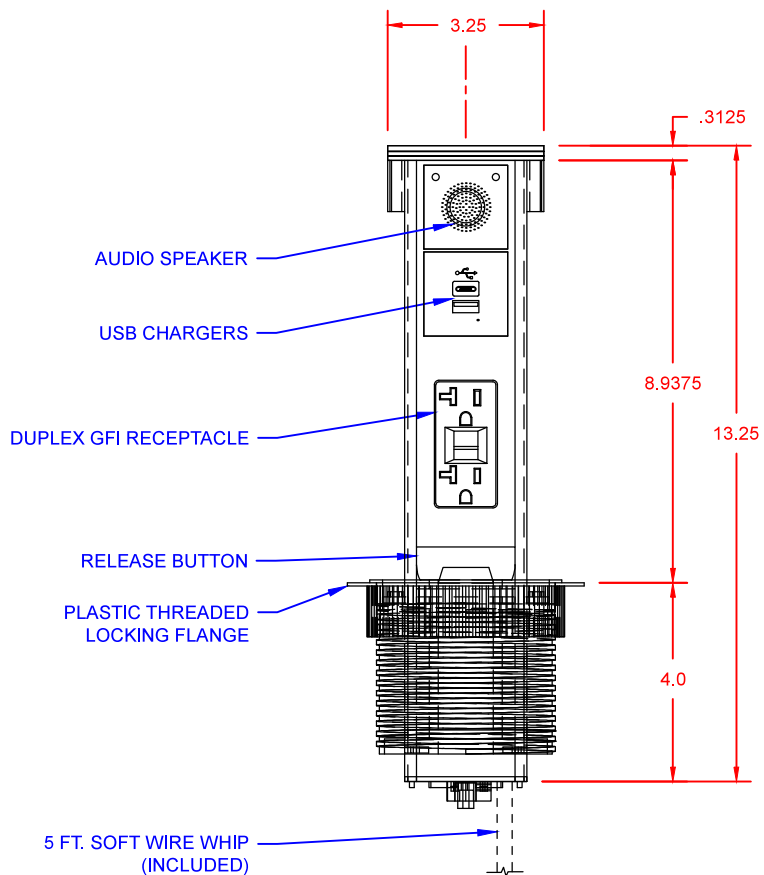
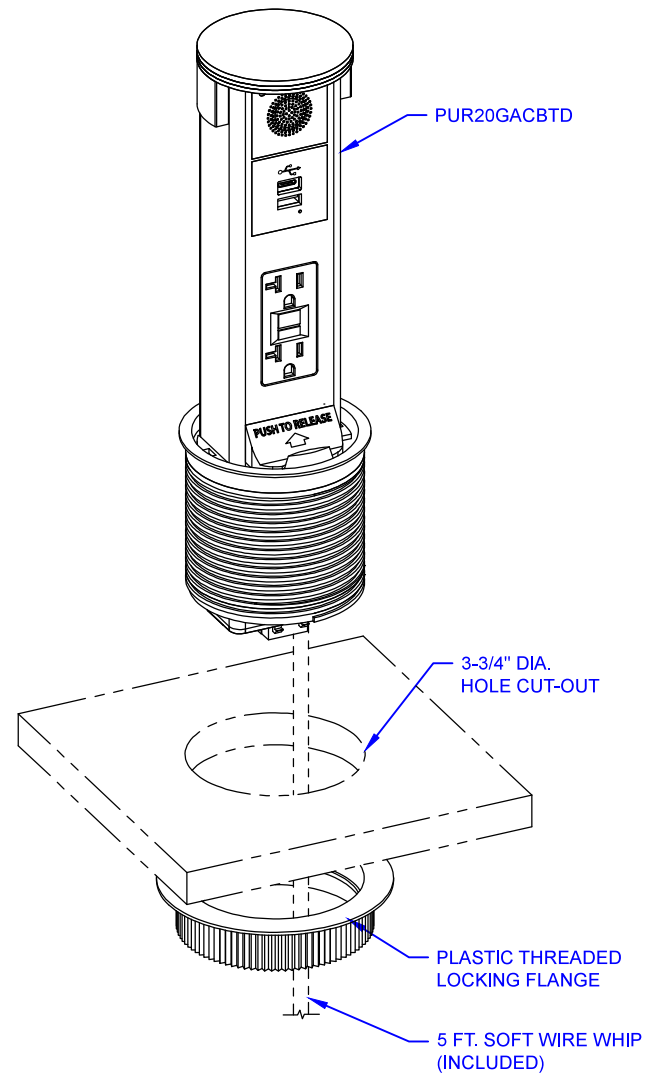


BOTTOM VIEW



FRONT VIEW



**LEW ELECTRIC FITTINGS COMPANY**  
 Providing the power to design your vision  
 1626 Tobacco Road, Augusta, GA 30906 • PHONE: 877.537.2019

|                                      |  |           |              |                       |            |
|--------------------------------------|--|-----------|--------------|-----------------------|------------|
| UNLESS OTHERWISE SPECIFIED:          |  | NAME      | DATE         | TITLE:<br>PUR20GACBTD |            |
| DIMENSIONS ARE IN INCHES             |  | DRAWN     | SMK          |                       | 06/12/2024 |
| TOLERANCES:                          |  | REVISED   | SMK          |                       | 04/28/2024 |
| FRACTIONAL ±                         |  |           |              |                       |            |
| ANGULAR: MACH ± BEND ±               |  |           |              |                       |            |
| TWO PLACE DECIMAL ±                  |  |           |              |                       |            |
| THREE PLACE DECIMAL ±                |  |           |              |                       |            |
| INTERPRET GEOMETRIC TOLERANCING PER: |  | COMMENTS: |              |                       |            |
| MATERIAL:                            |  | SIZE      | DWG. NO.     | REV                   |            |
| FINISH:                              |  | A         | 0000000      | A                     |            |
| DO NOT SCALE DRAWING                 |  | WEIGHT:   | SHEET 1 OF 1 |                       |            |