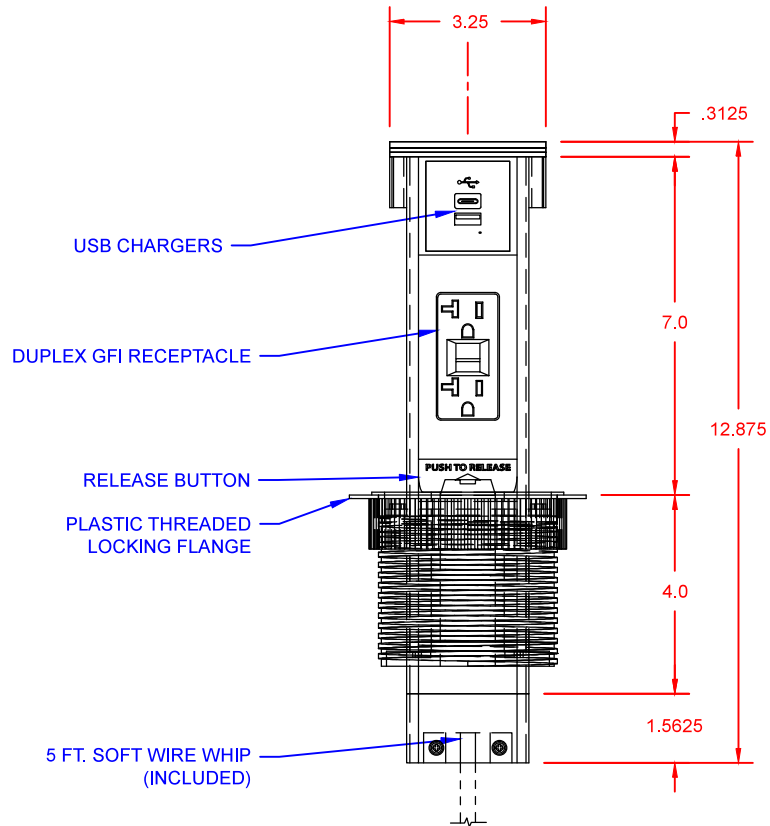
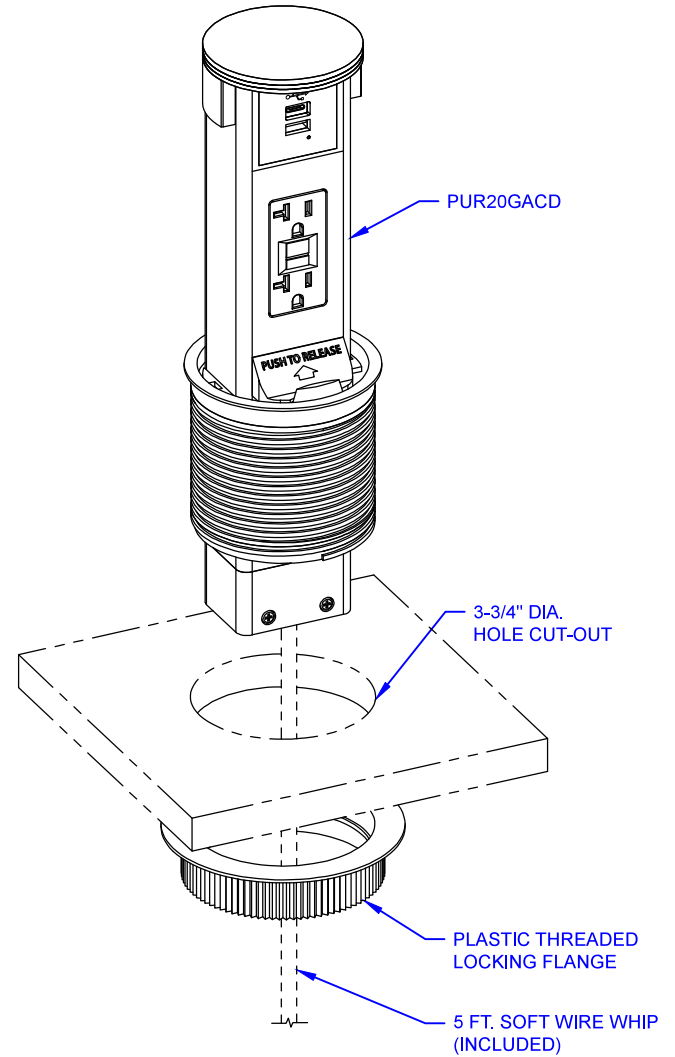


BOTTOM VIEW



FRONT VIEW



LEW ELECTRIC FITTINGS COMPANY
 Providing the power to design your vision

1626 Tobacco Road, Augusta, GA 30906 • PHONE: 877.537.2019

| | | | | | |
|--------------------------------------|--|-----------|--------------|---------------------|------------|
| UNLESS OTHERWISE SPECIFIED: | | NAME | DATE | TITLE: PUR20GACD | |
| DIMENSIONS ARE IN INCHES | | DRAWN | SMK | | 06/12/2024 |
| TOLERANCES: | | REVISED | SMK | | 04/28/2024 |
| FRACTIONAL ± | | | | | |
| ANGULAR: MACH ± BEND ± | | | | | |
| TWO PLACE DECIMAL ± | | | | | |
| THREE PLACE DECIMAL ± | | | | | |
| INTERPRET GEOMETRIC TOLERANCING PER: | | COMMENTS: | | | |
| MATERIAL: | | SIZE | DWG. NO. | REV | |
| FINISH: | | A | 0000000 | A | |
| DO NOT SCALE DRAWING | | WEIGHT: | SHEET 1 OF 1 | | |