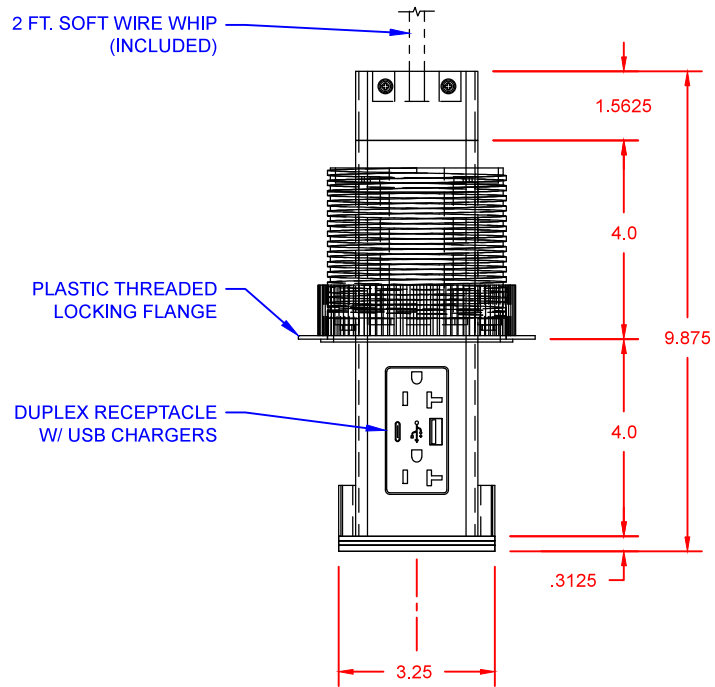
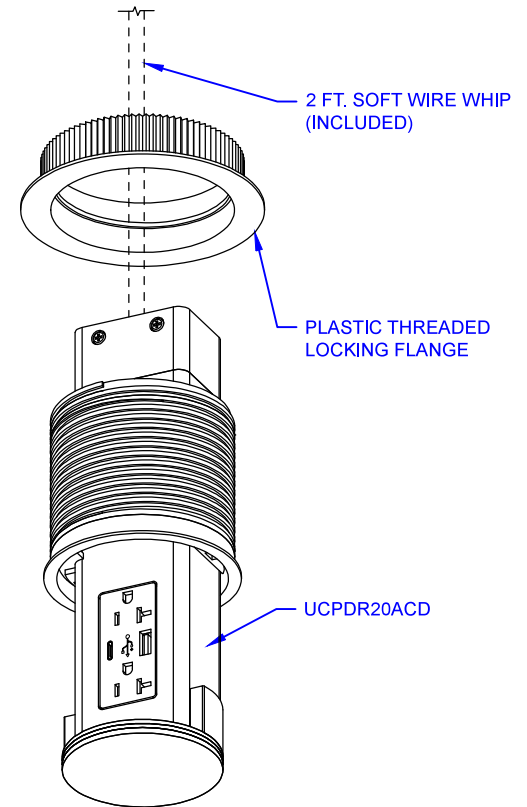


BOTTOM VIEW



FRONT VIEW



1626 Tobacco Road, Augusta, GA 30906 • PHONE: 877.537.2019

UNLESS OTHERWISE SPECIFIED:		NAME	DATE	TITLE: UCPDR20ACD	
DIMENSIONS ARE IN INCHES		DRAWN	SMK		06/12/2024
TOLERANCES:		REVISED	SMK		04/28/2024
FRACTIONAL ±					
ANGULAR: MACH ± BEND ±					
TWO PLACE DECIMAL ±					
THREE PLACE DECIMAL ±					
INTERPRET GEOMETRIC TOLERANCING PER:		COMMENTS:			
MATERIAL:				SIZE DWG. NO.	
FINISH:				0000000	
				REV	
				A	
DO NOT SCALE DRAWING		WEIGHT:		SHEET 1 OF 1	