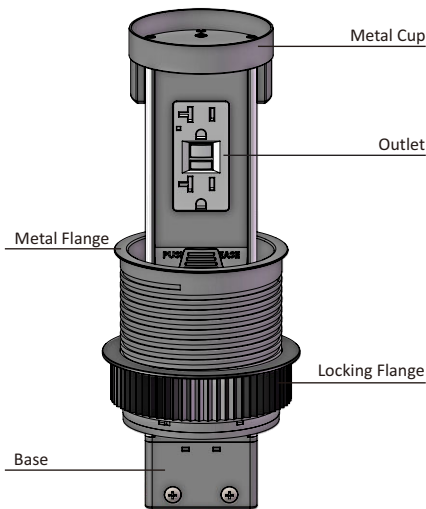


Product Diagram



Safety Guide

IMPORTANT:

Read all instructions before installing the PUR Series.

PRIOR TO INSTALLATION:

- Contact a local electrical inspector to make sure that this product meets or exceeds all local electrical codes (electric codes may vary by location).
- Make sure there is adequate space to install (see below: Installation Instructions)
- Disconnect and turn off all power sources.
- This product includes a soft wire. Please be aware that removing this wire will void the warranty.
- A small sticker has been placed on the product where the wire is. Removing this sticker will also void the warranty.
- *****LEW ELECTRIC FITTINGS ACCEPTS NO RESPONSIBILITY IF ABOVE AND BELOW CONDITIONS ARE NOT MET/FOLLOWED*****
- For indoor use only.
- This product is designed for countertops, desktops, and similar surfaces (this product is not suitable for floor use).
- All non GFI units must be wired to a GFCI circuit breaker if being installed in a kitchen, bathroom or any other area where the potential for water is present.
- Only licensed, insured, and bonded electrical contractors should install the PUR series.
- These products have no field serviceable parts. If the product is damaged, it must be returned to the factory. Any attempt to alter this product in any way may cause electrocution.

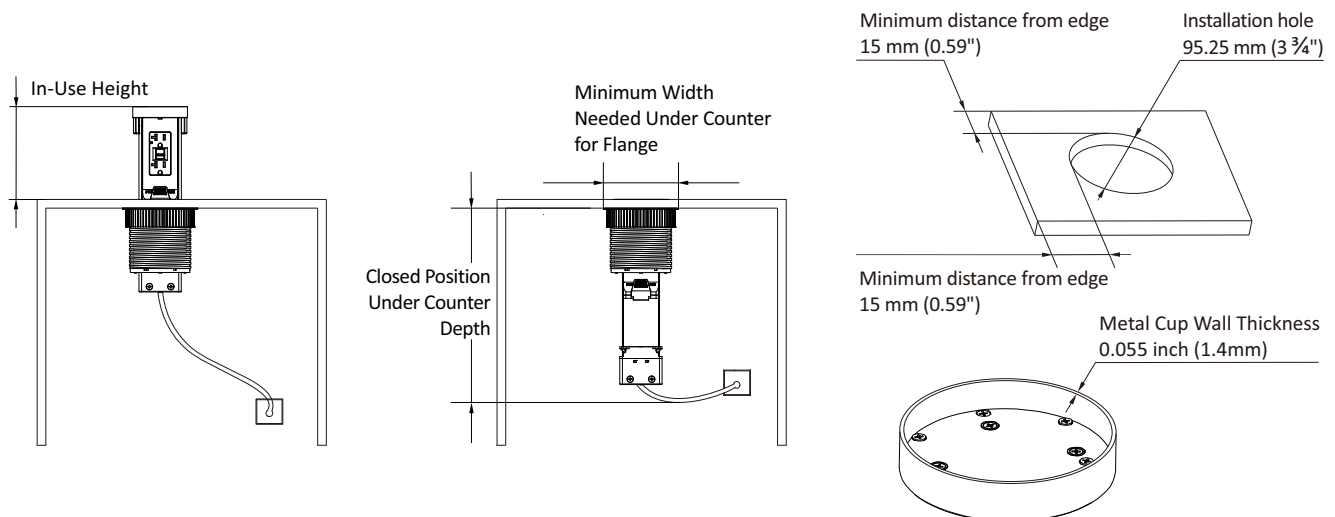
Requirements for Product Installation

Hole opener (95.25mm (3 3/4"))

1. Prior to Installation

- Select the desired location of the countertop or desktop at least 10" from the stovetop or other heating sources.
- The selected location must be at least 15 mm (0.59") away from the edge of the countertop or similar surface.
- The mounting surface must be between 9.5 mm (3/8") and 55 mm (2 3/16") thick and have the below clearances:

				In-Use Height	5.3 "
PUR20G	PUR20AC	PUR20DS	PUR20GFIAC	Closed Position Under Counter Depth (For a 3 cm thick countertop, includes 2" reserved for cable bend)	12 "
				Minimum Width needed under counter for flange	4.53 "



2. Cut-Out and Mounting

1. Use a water jet or other suitable tool to cut a circular granite top cover with a diameter of 3.175 inches (80.6 mm) from the granite countertop.

Note: The 3.175 inches (80.6 mm) diameter excludes the metal cup wall thickness 0.055 inch (1.4mm).

Grind the thickness of this granite top cover to 0.5 inches (12.7 mm) and smooth any burrs along the edges. Set it aside for later use as the product's top decoration.

If you have the stone supplier provide the granite top cover directly, this step can be skipped, and you may proceed to the next step.

2. Drill a hole with a diameter of 3 ¾ inches (95.25 mm) in the countertop.

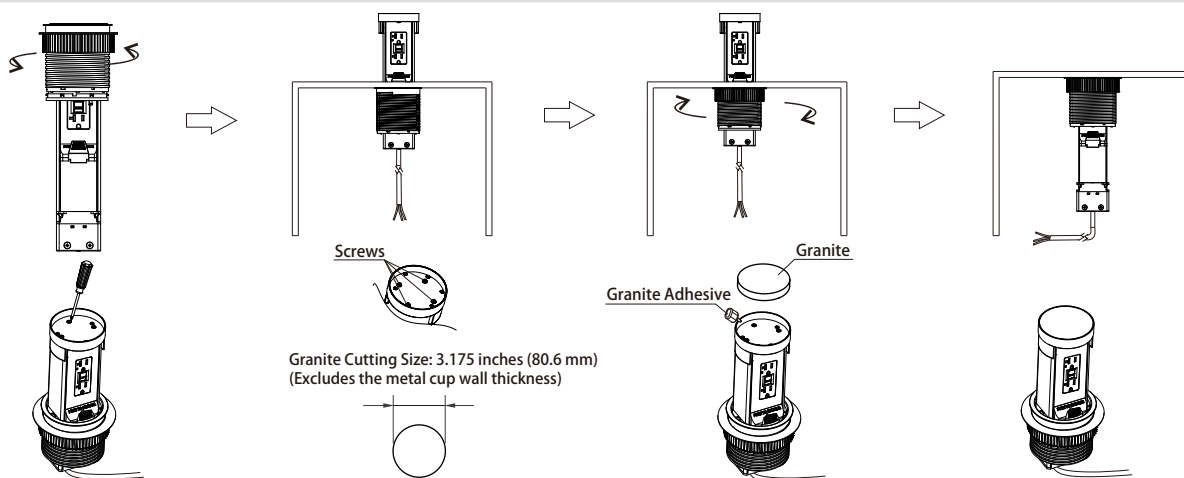
3. Detach the plastic threaded locking flange from the PUR unit.

4. Feed the PUR wiring through the hole in the countertop, then insert the PUR unit, pressing it down until the black gasket sits flush against the benchtop surface.

5. Pass the PUR wiring through the plastic locking flange, then rotate the flange counterclockwise until it is securely fastened against the underside of the countertop.

6. **Ensure that the granite insert is flush with the product surface and that its veining is properly aligned with the surrounding granite surface. Apply specialized adhesive (e.g., silicone or a similar product) to the bottom of the top cover's mounting space, then carefully place the granite insert into position, ensuring a secure fit.**

Note: If the insert is not thick enough, adjust the four screws inside the top cover cup to ensure the insert sits level with the product surface before proceeding to Step 6. The screws have an adjustable range of 0 ~ 0.08 inch (0 ~ 2 mm).



3. Electrical Wiring

IMPORTANT: A listed junction box (not included) is required for the electrical wiring of the PUR unit.

Ensure that only a licensed electrician should install the junction box and connect the wires.

1. Install the junction box to the wall near the PUR unit.

IMPORTANT:

Please pay special attention to the distance between the junction box and the PUR unit.

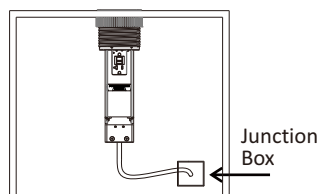
Ensure that the soft wire can still have some slack when the PUR unit is in the fully popped position.

2. Run approved conduit/wiring from the electrical panel into the side of the junction box furthest from the PUR unit.

3. Install a connector to the side of the junction box closest to the PUR unit.

4. Install the end of the soft wire from the PUR unit through the connector and into the junction box.

5. Using standard electrical installation practices, connect the wires from the soft wire to the wires from the AC power supply inside the junction box. Then install the cover to the junction box.



4. Operation Steps

1. To open pop up feature, press firmly on the cover. The unit will deploy upward approximately 1" initial, then pull the top upward until the unit locks into place.

2. To close the device, push the black plastic locking tab and push down on the top until the unit locks.

*****Please avoid using excessive force when pushing to open or close the unit.*****

