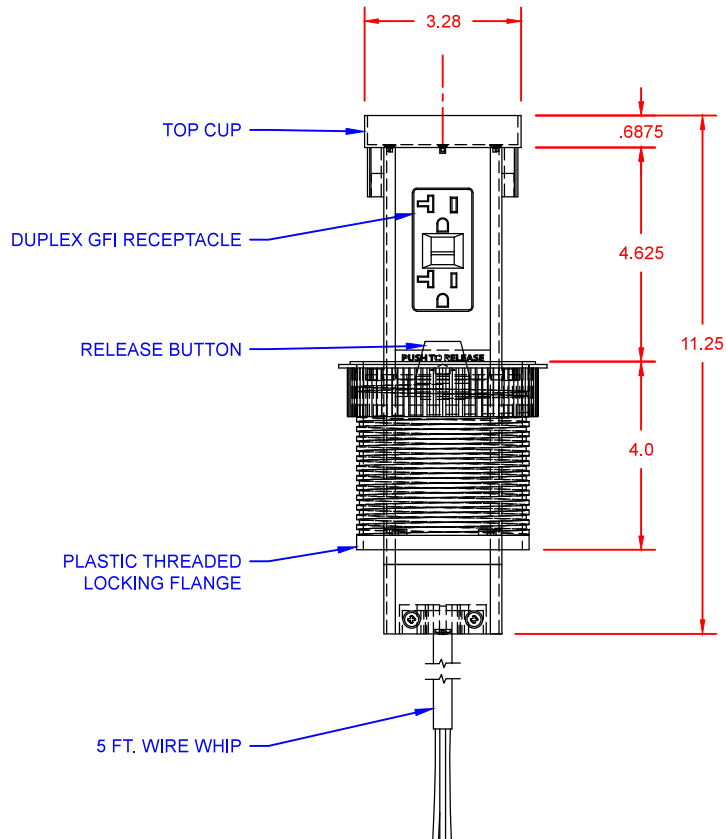
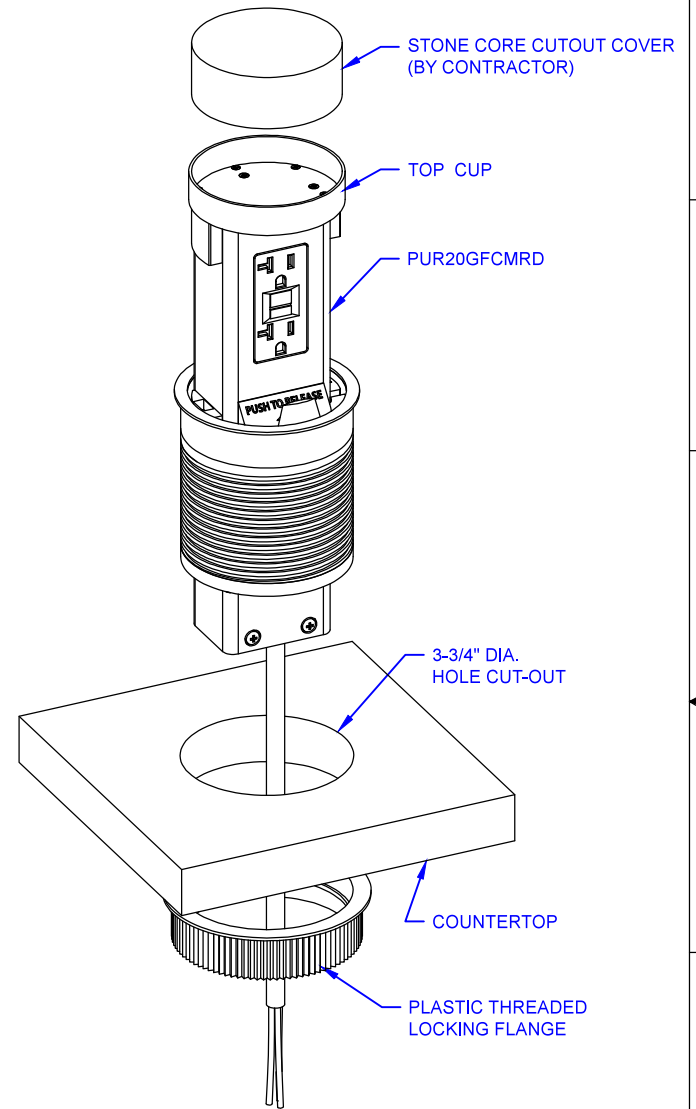


**BOTTOM VIEW**



**FRONT VIEW**



1626 Tobacco Road, Augusta, GA 30906 • PHONE: 877.537.2019

UNLESS OTHERWISE SPECIFIED:		NAME	DATE	TITLE: PUR20GFCMRD
DIMENSIONS ARE IN INCHES	DRAWN	SK	12/14/2025	
TOLERANCES	REVISION	SK	04/28/2026	
FRACTIONAL ±				SIZE DWG. NO. REV A 0000001 A
ANGULAR: HUNDRED ±				
TWO PLACE DECIMAL ±				
THREE PLACE DECIMAL ±				WEIGHT: SHEET 1 OF 1
INTERPRET GEOMETRIC TOLERANCING PER:	COMMENTS:			
MATERIAL:				
FINISH:				
DO NOT SCALE DRAWING				