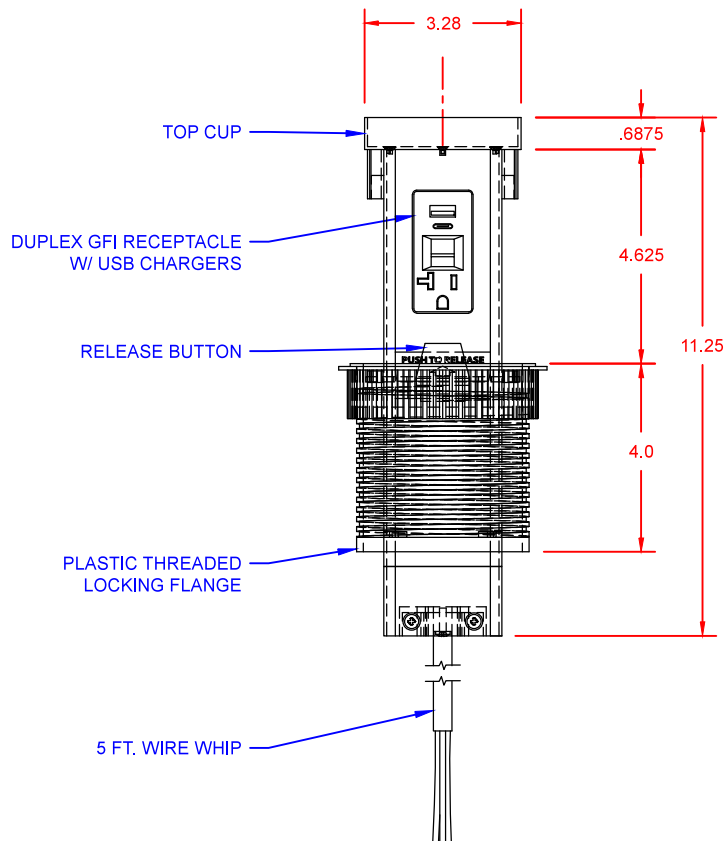
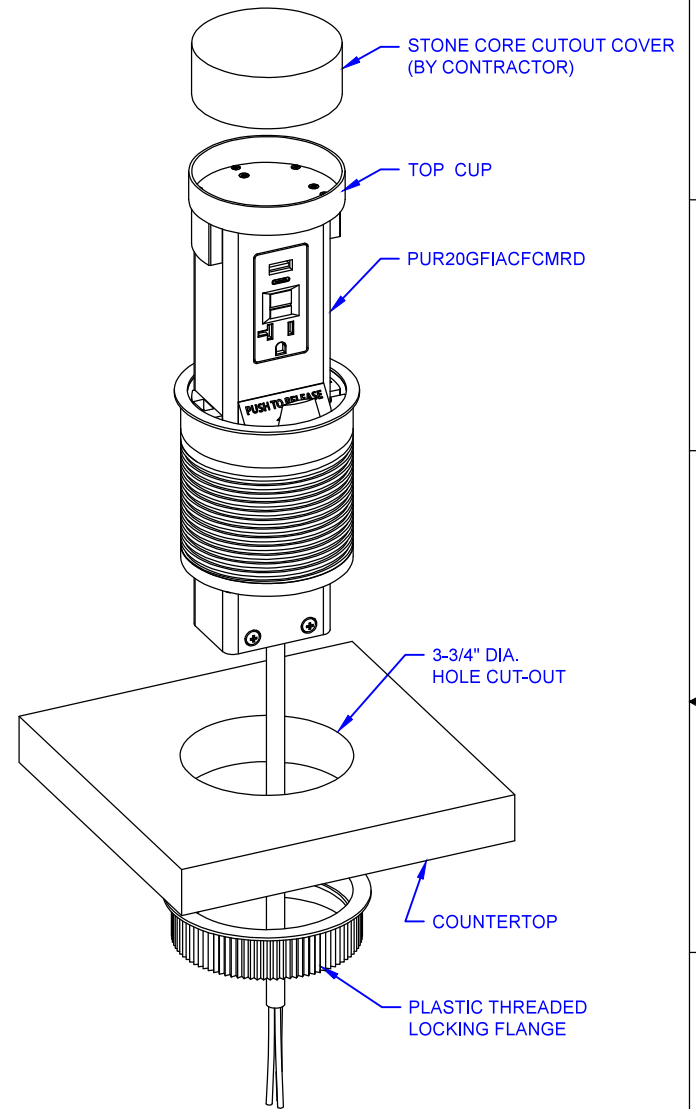



**BOTTOM VIEW**



**FRONT VIEW**





**LEW ELECTRIC FITTINGS COMPANY**  
 Providing the power to design your vision

1626 Tobacco Road, Augusta, GA 30906 • PHONE: 877.537.2019

|  |  |           |      |                                  |                      |         |              |
|--|--|-----------|------|----------------------------------|----------------------|---------|--------------|
| UNLESS OTHERWISE SPECIFIED:  |  | NAME      | DATE | TITLE:<br>PUR20GFIACFCMRD        |                      |         |              |
| DIMENSIONS ARE IN INCHES   |  | DRAWN     | SK   |                                  | 12/14/2025           |         |              |
| TOLERANCES<br>FRACTIONAL ±<br>ANGULAR: MINUS ±<br>TWO PLACE DECIMAL ±<br>THREE PLACE DECIMAL ± |  | REVISION  | SK   |                                  | 04/28/2026           |         |              |
| INTERPRET GEOMETRIC TOLERANCING PER:   |  | COMMENTS: |      | SIZE DWG. NO. REV<br>A 0000001 A |                      |         |              |
| MATERIAL:  |  |           |      |                                  | DO NOT SCALE DRAWING | WEIGHT: | SHEET 1 OF 1 |
| FINISH:  |  |           |      |                                  |                      |         |              |