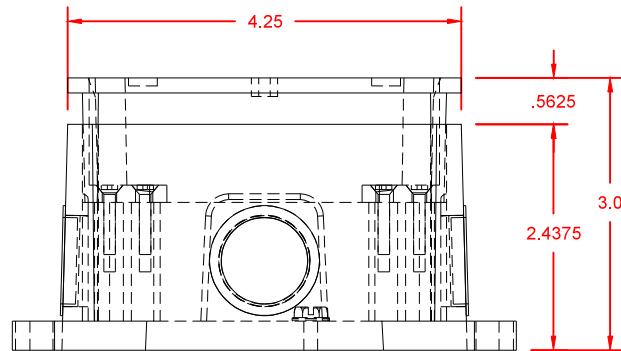
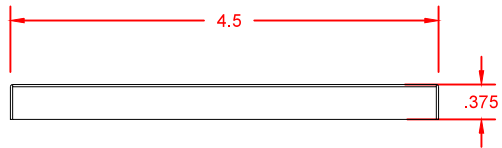
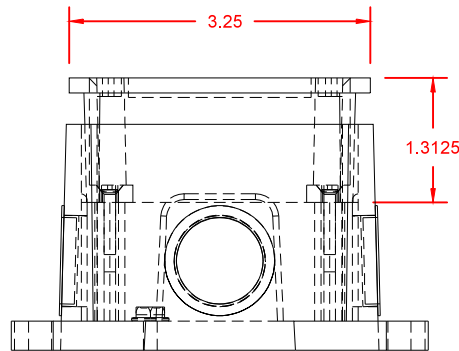
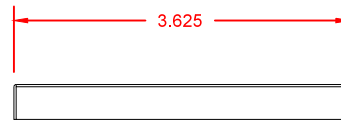


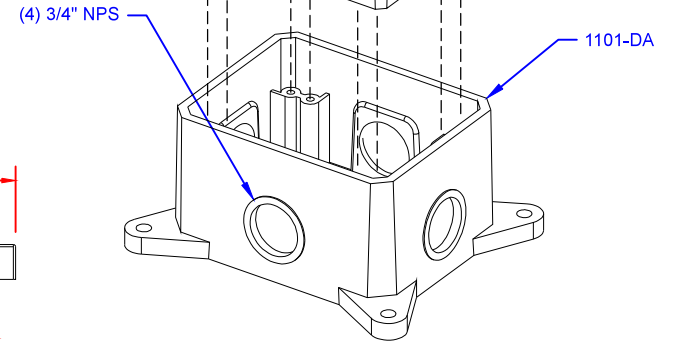
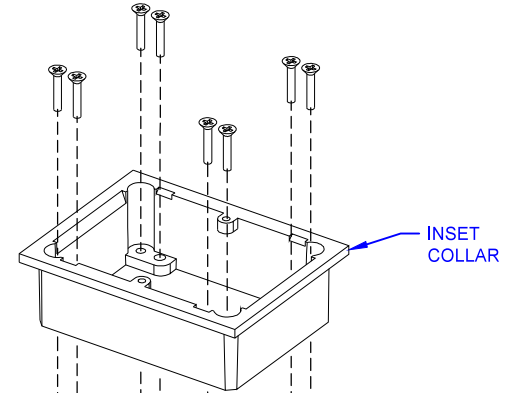
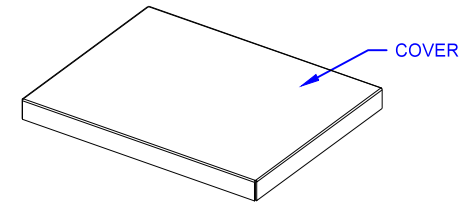
TOP VIEW



FRONT VIEW



SIDE VIEW



DEEP, ONE GANG DIE CAST ALUMINUM FLOOR BOX, FULLY ADJUSTABLE (REQUIRES 1101-DBE TILE FRAME, NOT INCLUDED)



1626 Tobacco Road, Augusta, GA 30906 • PHONE: 877.537.2019

UNLESS OTHERWISE SPECIFIED: DIMENSIONS ARE IN INCHES TOLERANCES: FRACTIONS ± ANGULAR: INCH ± BEND TWO PLACE DECIMAL ± THREE PLACE DECIMAL ±	DATE	5/24/2026	TITLE: 1101-DA
	NAME	SMK	
INTERPRET GEOMETRIC TOLERANCING PER:	COMMENTS:	SIZE	DWG. NO. 0000001
MATERIAL:		REV	A
FINISH:		WEIGHT:	SHEET 1 OF 1
DO NOT SCALE DRAWING			